

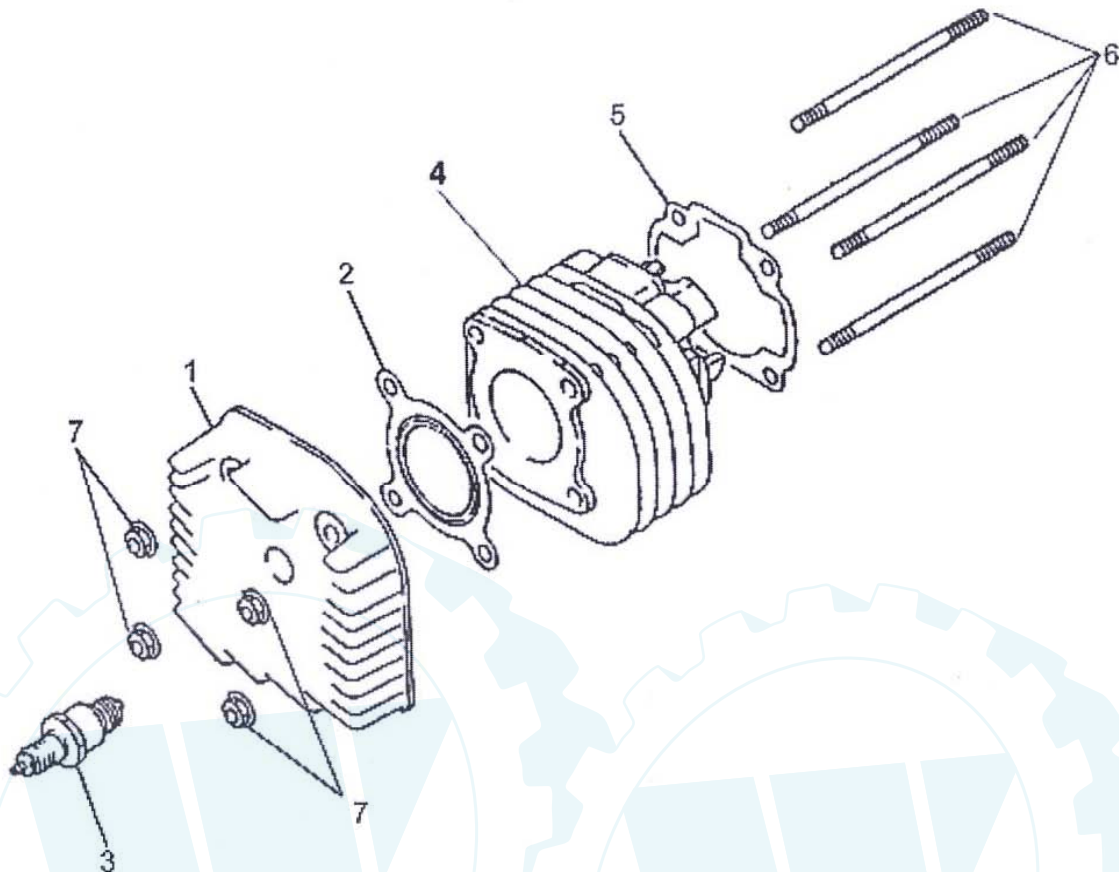
INDEX



DRACO 50

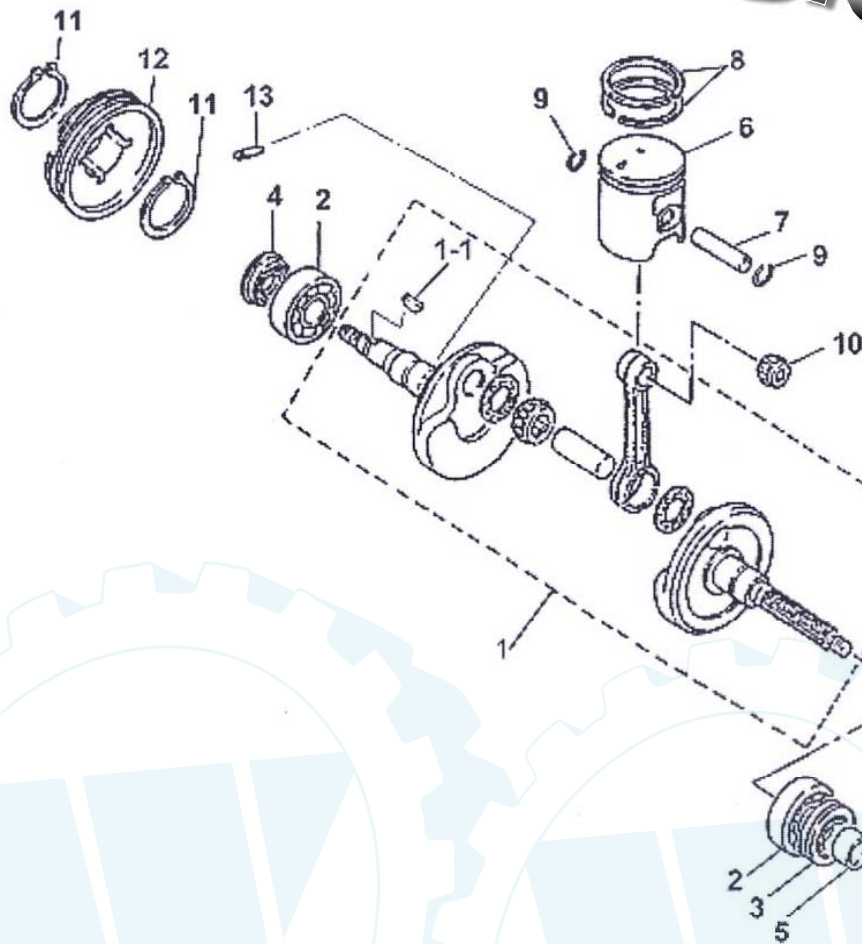
- 
- A detailed illustration of a Draco 50 motorcycle, shown from a side profile. The motorcycle is light-colored with a blue gear-like pattern overlaid on the background. The engine, wheels, handlebars, and seat are clearly visible.
- 1- ZYLINDER, ZYLINDERKOPF
 - 2- KURBELWELLE, KOLBEN
 - 3- LÜFTER, LÜFTERBDECKUNG
 - 4- LUFTFILTER, VERGASER
 - 5- ÖLPUMPE, KURBELGEHÄUSE
 - 6- GETRIEBE
 - 7- KICKSTARTER
 - 8- VARIOMATIK
 - 9- MOTORAUFHÄNGUNG
 - 10- LICHTMASCHINE, STARTER
 - 11- AUSPUFF
 - 12- RAHMEN
 - 13- SCHWINGE HINTEN
 - 14- COVERTEILE
 - 15- SITZ
 - 16- TANK, ÖLTANK
 - 17- FEDERUNG
 - 18- VORDERREIFEN
 - 19- HINTERREIFEN
 - 20- VORDERREIFEN
 - 21- HINTERBREMSE
 - 22- LENKER, ARMATUREN
 - 23- RAMMSCHUTZ
 - 24- KETTE, HINTERACHSE
 - 25- LENKUNG
 - 26- ELEKTRIK
 - 27- GEPÄCKTRÄGER
 - 28- SPIEGEL, LICHT, WERKZEUG

1. Zylinder



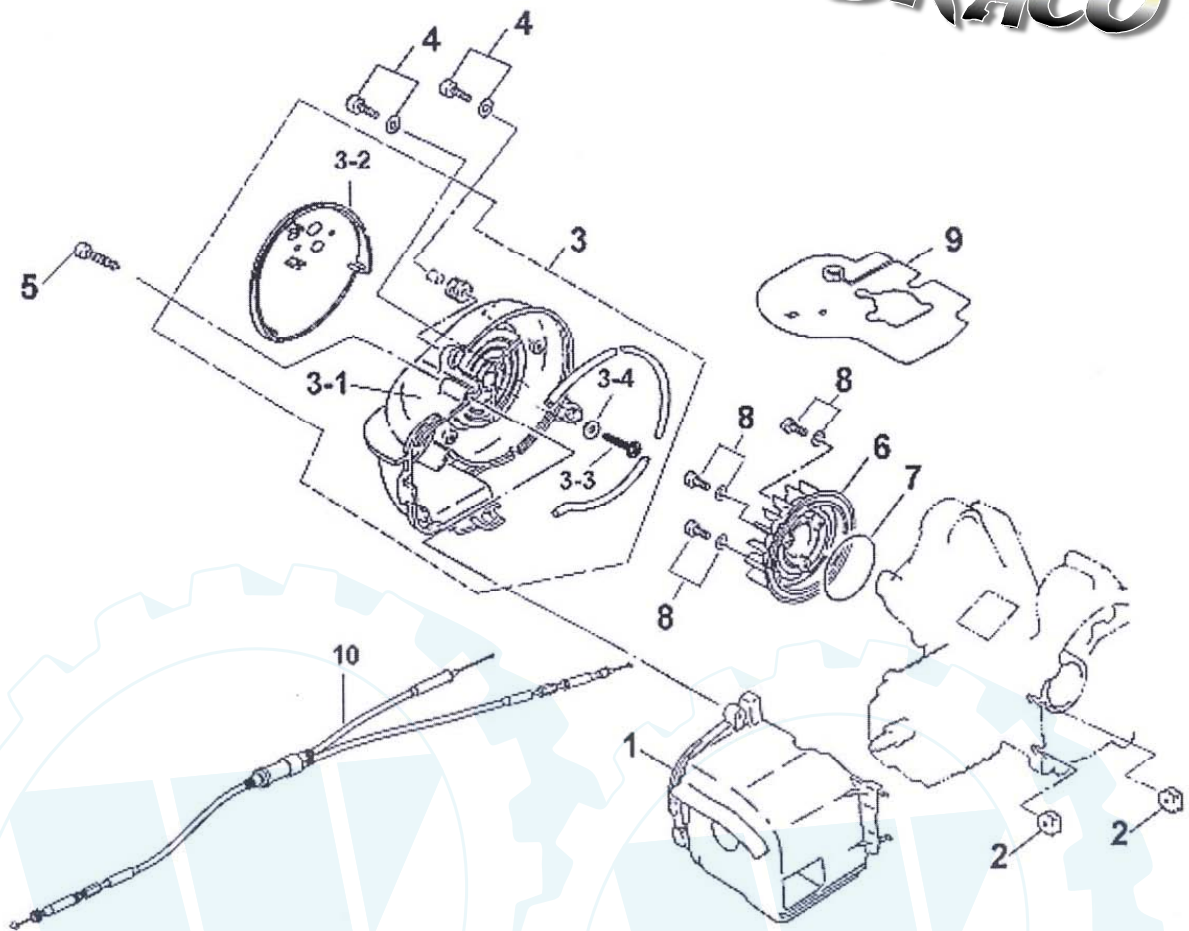
Nr.	E-Teil Nr.	Beschreibung	Stk.
1		CYLINDER, HEAD	
1-1	A2200-B02-0000	HEAD CYLINDER (\varnothing 40)	1
1-2	A2251-B02-0000	GASKET CYLINDER HEAD	1
1-3	I8000-B00-0000	SPARK PLUG (NGK BPR7HS)	1
1-4	A2100-B02-0000	CYLINDER	1
1-5	A2191-B02-0000	GASKET CYLINDER	1
1-6	I0031-07109-0H	STUD BOLT (A)	4
1-7	I4050-07070-0H	NUT, HEXAGON HEAD	4

2 Kurbelwelle, Kolben



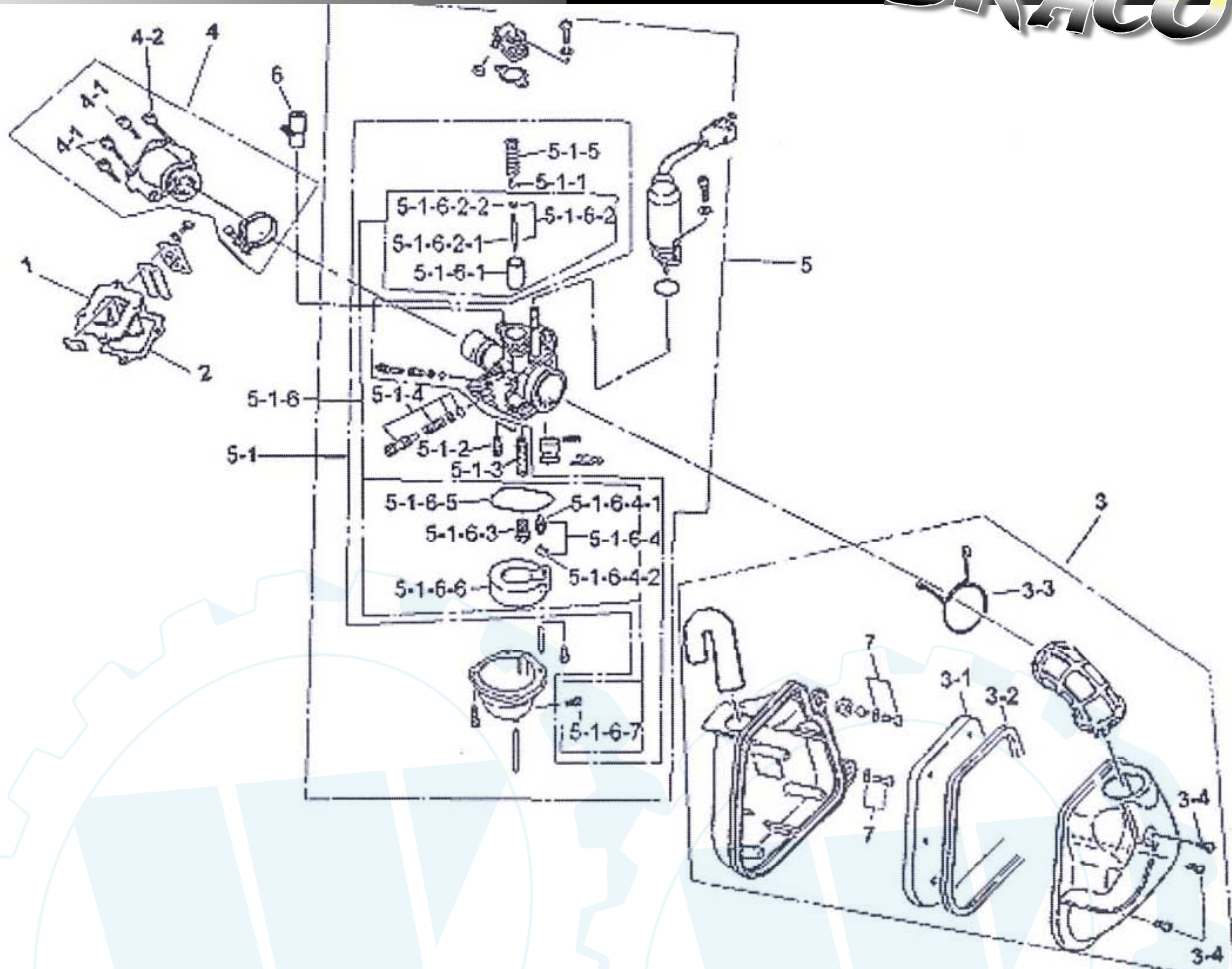
Nr.	E-Teil Nr.	Beschreibung	Stk.
2		CRANKSHAFT, PISTON	
2-1	A3000-B02-9001	CRANKSHAFT COMP	1
2-1-1	I4401-13050	WOODRUFF KEY	1
2-2	I6100-62044-10	BEARING, BALL, RADIAL	2
2-3	I1202-B00-0000	OIL SEAL (20x42x8)	1
2-4	I1201-B00-0000	OIL SEAL (20x30x6)	1
2-5	B8117-B02-0000	COLLAR ($\varnothing 15 \times \varnothing 20 \times 12.5$)	1
2-6	A3101-B02-0000	PISTON	1
2-7	A3111-B02-0000	PIN PISTON ($\varnothing 10 \times 33$)	1
2-8	A3011-B02-0000	PISTON RING SET ($\varnothing 40$)	1
2-9	I4601-B02-0000	CIRCLIP ($\varnothing 12$)	2
2-10	I1100-1014125	BEARING, NEEDLE	1
2-11	I4510-19000	CIRCLIP	2
2-12	A5131-B00-0000	GEAR PUMP DRIVE	1
2-13	I4303-03118	KNOCK PIN	1

3 Lüfter



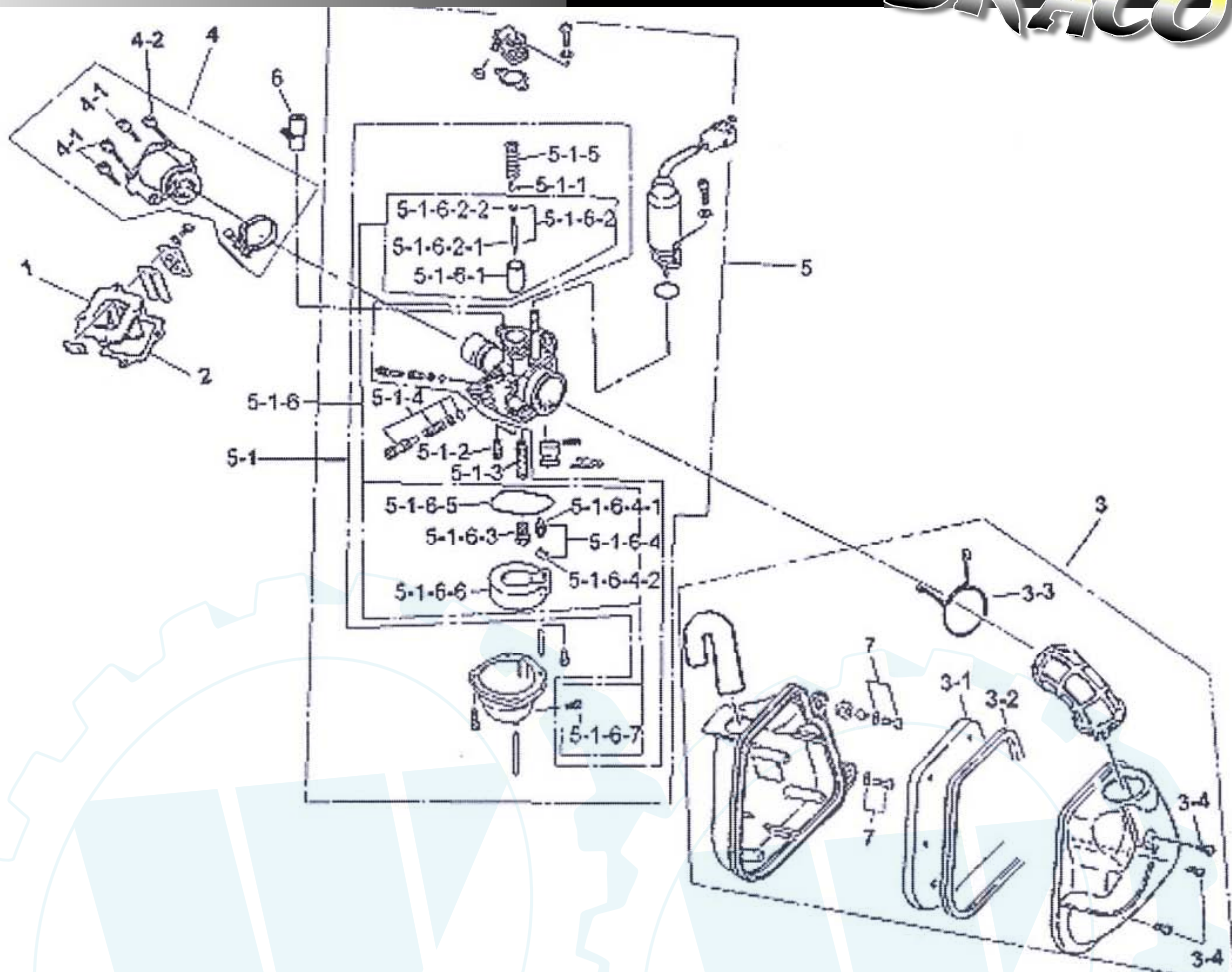
Nr.	E-Teil Nr.	Beschreibung	Stk.
3		FAN COVER, AIR SHROUD	
3-1	A9620-B02-0000	AIR SHROUD, CYLINDER	1
3-2	A1207-B00-0000	GROMMET	2
3-3	A961A-B00-0000	FAN COVER ASSY.	1
*3-3-1	A9610-B00-0000	FAN COVER, SHROUD PLATE	1
*3-3-2	A9616-B00-0000	FAN COVER CAP	1
*3-3-3	I3903-416B0	TRUSS	1
*3-3-4	I4104-05316	WASHER	1
3-4	I3891-06020-0C	SCREW WASHER	2
3-5	I3901-240C0	TAPPING SCREW PAN	1
3-6	A9510-B02-0000	FAN	1
3-7	I4608-64431	O-RING	1
3-8	I3893-06016-0H	SCREW WASHER	3
3-9	H0153-B00-0000	DEFLEVTOR	1
3-10	A7910-9FA0-0000	CABLE ASSY., THROTTLE	1

4 Lüfter, Vergaser



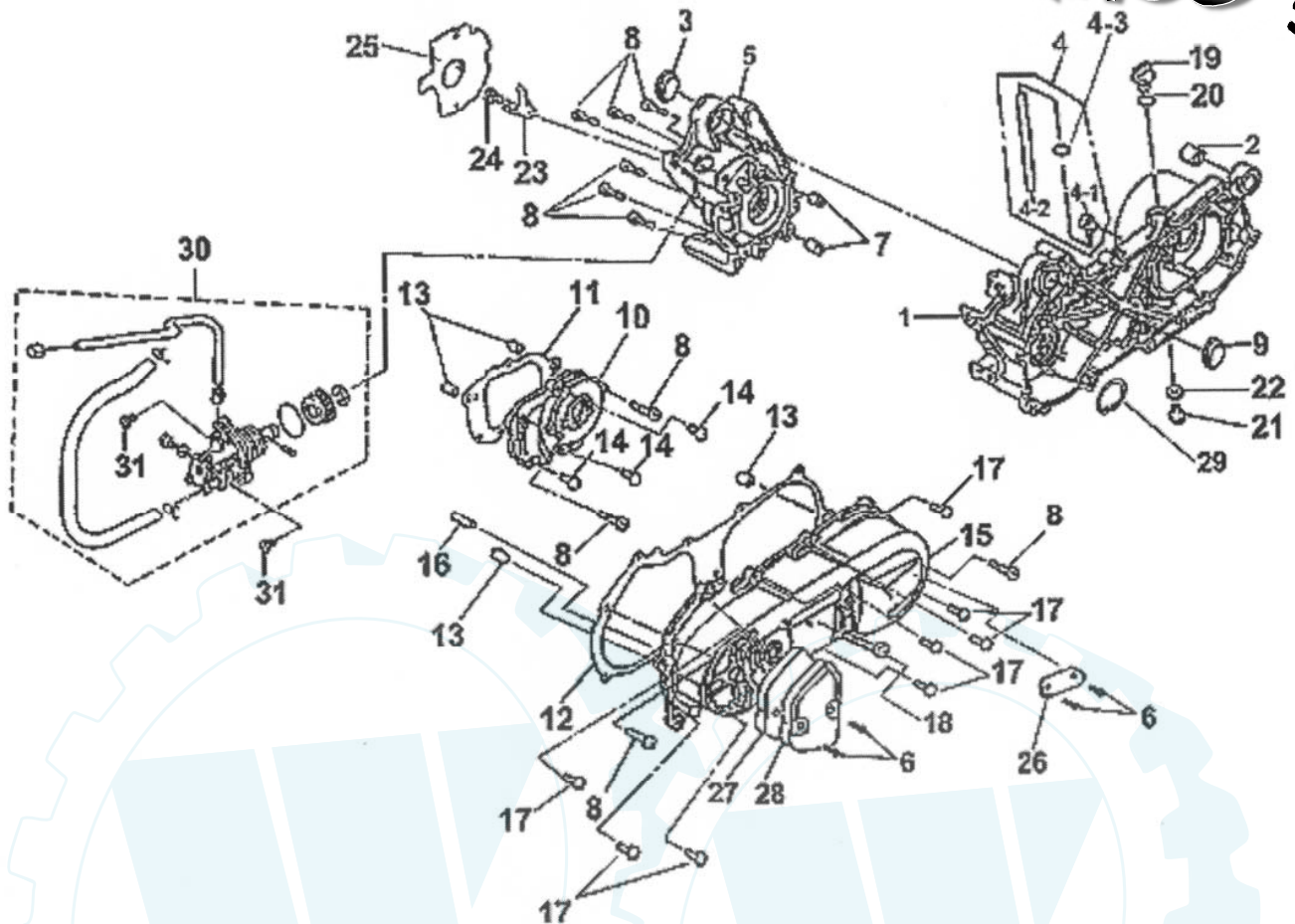
Nr.	E-Teil Nr.	Beschreibung	Stk.
4-1	A410A-B00-0000	REED VALVE ASSY.	1
4-2	A6201-B00-0000	GASKET, VALVE SEAT	1
4-3	A720A-B00-7000	AIR CLEANER ASSY. (ATV)	1
4-3-1	A7205-B00-0000	ELEMENT, AIR CLEANER	1
*4-3-2	A7214-B00-0000	SEAL	1
*4-3-3	I5002-43022	TUBE CLIP	1
*4-3-4	I3901-425C0	SELF-TAPPING SCREW	3
4-4	A711A-B00-0000	MANIFOLD, INTAKE	1
*4-4-1	I6001-06020-0H	BOLT, HEXAGON HEAD	3
*4-4-2	I6001-B02-0000	BLOT,BREAKING	1
4-5	A610A-B02-0001	CARBURETOR ASSY.	1
4-5-1	A6100-B02-A001	MAINTENANCE KIT 1	1
*4-5-1-1	KAC30310	CLIP	1
*4-5-1-2	KAC30510	SLOW JET (*20)	1
*4-5-1-3	KAB90610	NEEDLE JET (*426 E-1)	1
*4-5-1-4	KAC30840	THROTTLE ADJUSTING SCREW	1
*4-5-1-5	KAC31810	THROTTLE VALVE SPRING	1
4-5-1-6	A6100-B02-A002	MAINTENANCE KIT 2	1
*4-5-1-6-1	KAC30110	THROTTLE VALVE (*3.0)	1
*4-5-1-6-2	KAB90220	JET NEEDLE ASSY. (*3CR1)	1
*4-5-1-6-2-1	KAB90221	JET NEEDLE (*3CR1)	1
*4-5-1-6-2-2	KAC30222	E CLIP	1
*4-5-1-6-3	KAC30410	MAIN JET *85	1

4.1 Lüfter, Vergaser



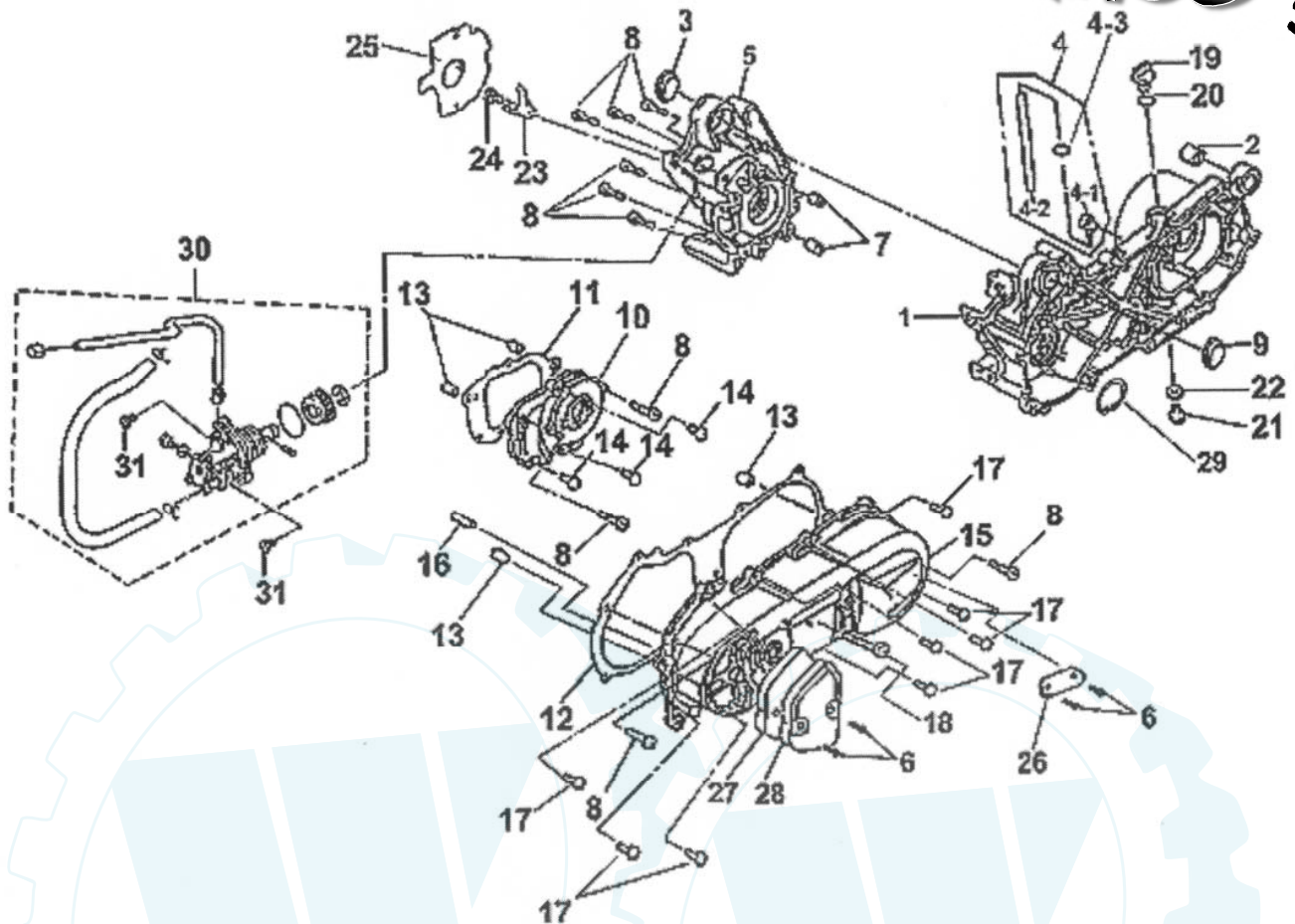
Nr.	E-Teil Nr.	Beschreibung	Stk.
*4-5-1-6-4	KAC31120	NEEDLE VALVE ASSY.	1
*4-5-1-6-4-1	KAC31121	NEEDLE VALVE	1
*4-5-1-6-4-2	KAC31122	FLOAT CLIP	1
*4-5-1-6-5	KAC30910	CHAMBER O-RING	1
*4-5-1-6-6	KAC31210	FLOAT A'SSY	1
*4-5-1-6-7	KAC31410	DRAIN SCREW	1
4-6	A6101-B02-0000	CARBURETOR RUBBER	1
4-7	I6706-06020-0C	SCREW SOCKET WITH WASHER	2

5 Ölpumpe, Kurbelgehäuse



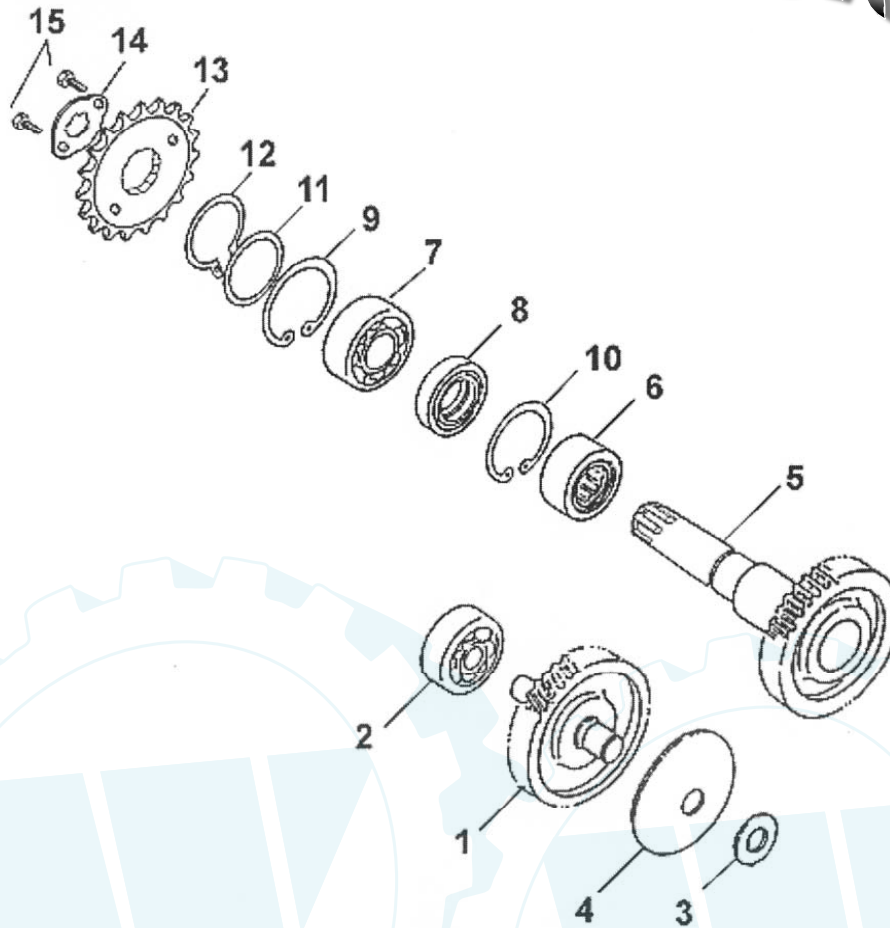
Nr.	E-Teil Nr.	Beschreibung	Stk.
5-1	A1200-B02-9900	CRANK CASE (L)	1
5-2	A1208-B00-0000	BUSH	1
5-3	A1105-B00-0000	RUBBER CAP, R.	1
5-4	A1220-B00-0000	HOSE BREATHER ASSY.	1
5-4-1	A1206-B00-0000	BREATHER JOINT	1
5-4-2	A1221-B00-0000	HOSE BREATHER	1
5-4-3	I5002-06008	TUBE CLIP	1
5-5	A1100-B02-0900	CRANK CASE R	1
5-6	I3500-05008-0G	SCREW PAN	4
5-7	I4301-12160	KNOCK PIN	2
5-8	I3500-06035-0A	SCREW PAN	10
5-9	A1205-B00-0000	RUBBER CAP, (L)	1
5-10	B1300-B00-0000	COVER, MISSION	1
5-11	B1395-B00-0000	GASKET, MISSION COVER	1
5-12	A1395-B00-0000	GASKET, CRANKCASE COVER L.	1
5-13	I4301-10140	PIN, DOWEL (\varnothing 10x14)	4
5-14	I3500-06020-0A	SCREW PAN	3
5-15	A1341-B02-0000	COVER CRANK CASE L	1
5-16	A1342-B00-0000	SHAFT (\varnothing 8x31)	1
5-17	I3500-06025-0A	SCREW PAN	8
5-18	I3500-06065-0A	SCREW PAN	1
5-19	A5651-B00-0000	PLUG, OIL	1
5-20	I4608-13825	O-RING	1

5 Ölpumpe, Kurbelgehäuse



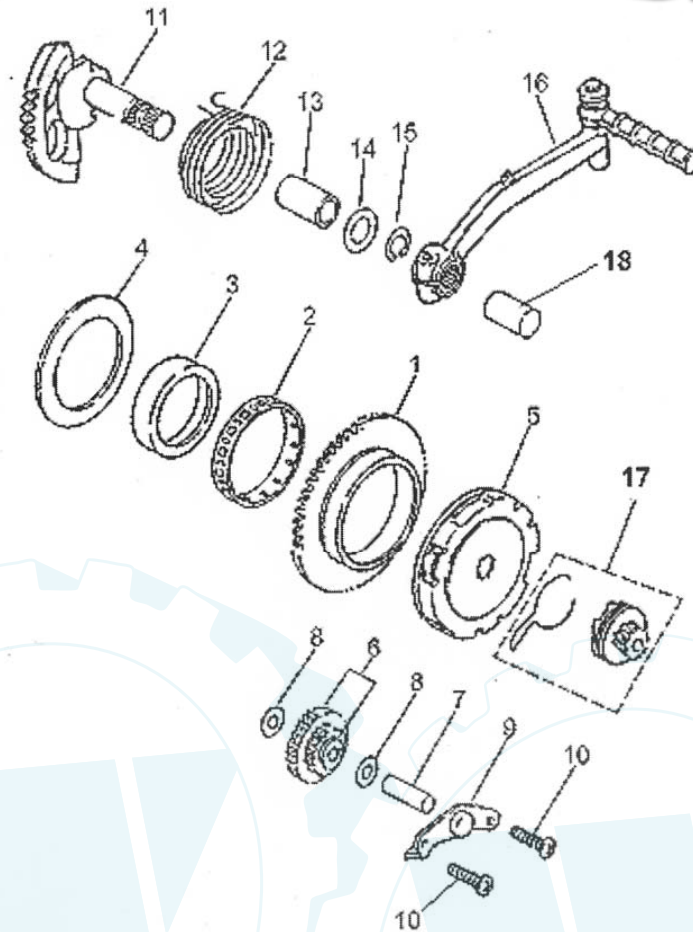
Nr.	E-Teil Nr.	Beschreibung	Stk.
5-21	I5701-08016-0H	BOLT, HEXAGON HEAD	1
5-22	I4104-08015	WASHER	1
5-23	A1121-B00-0000	HOLDER	1
5-24	I3500-06012-0A	SCREW WASHER	1
5-25	A1393-B00-0000	GASKET, CRANKCASE COVER	1
5-26	A1364-B02-0000	PLATE	1
5-27	A1362-B02-0000	ELEMENT	1
5-28	A1363-B02-0000	GUIDE, ELEMENT	1
5-29	I4520-42000	CIRCLIP EX	1
5-30	A510A-B02-7000	OIL PUMP ASSY.	1
5-31	I3500-05014-0A	SCREW PAN	2

6 Getriebe



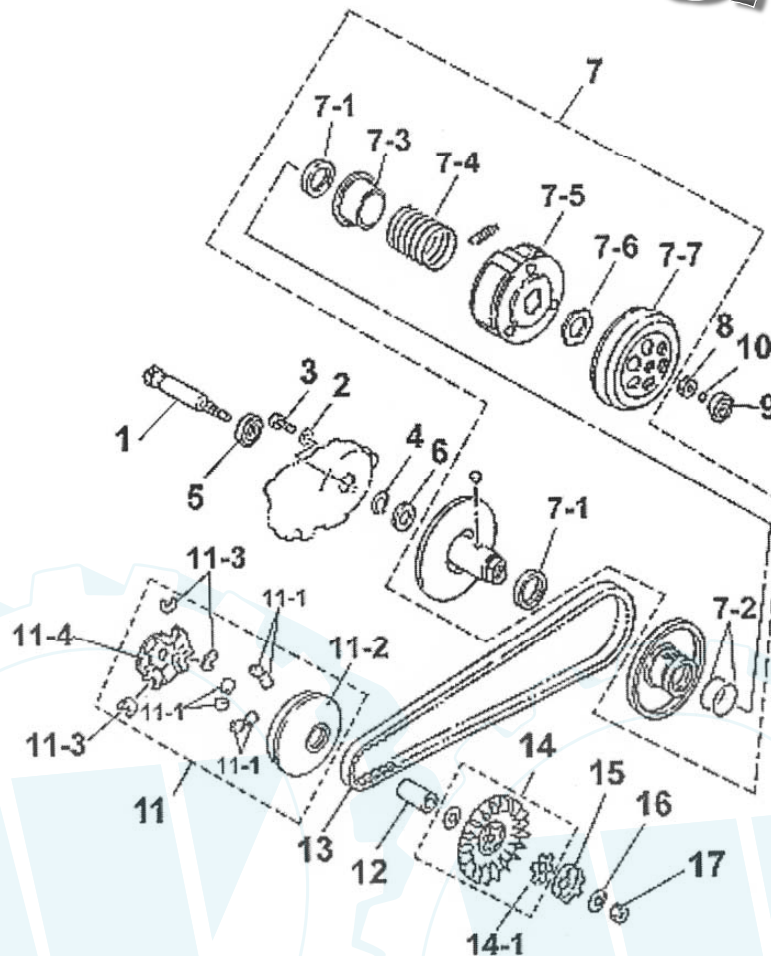
Nr.	E-Teil Nr.	Beschreibung	Stk.
6-1	B3420-B02-0000	COUNTER SHAFT COMP	1
6-2	I6100-62013-10	BEARING, BALL, RADIAL	1
6-3	I4104-12310	WASHER	1
6-4	I700W-12027	SPOKE NIPPLE WASHER	1
6-5	B3430-B02-9000	FINAL SHAFT COMP	1
6-6	I1130-253316	BEARING, NEEDLE	1
6-7	I6150-60040-10	BEARING, BALL, RADIAL	1
6-8	I1204-B00-0000	OIL SEAL (25×35×6)	1
6-9	I4520-42000	CIRCLIP EX	1
6-10	I4530-32000	CIRCLIP	1
6-11	I4104-20210	WASHER	1
6-12	I4510-20000	CIRCLIP#20	1
6-13	B3801-B00-9000	DRIVE CHAIN SPROCKET(15T)	1
6-14	B3811-A00-0000	PLATE A2 FIXING	1
6-15	I2201-06010-0H	BOLT, HEXAGON HEAD	2

7 Kickstarter, Starterkupplung



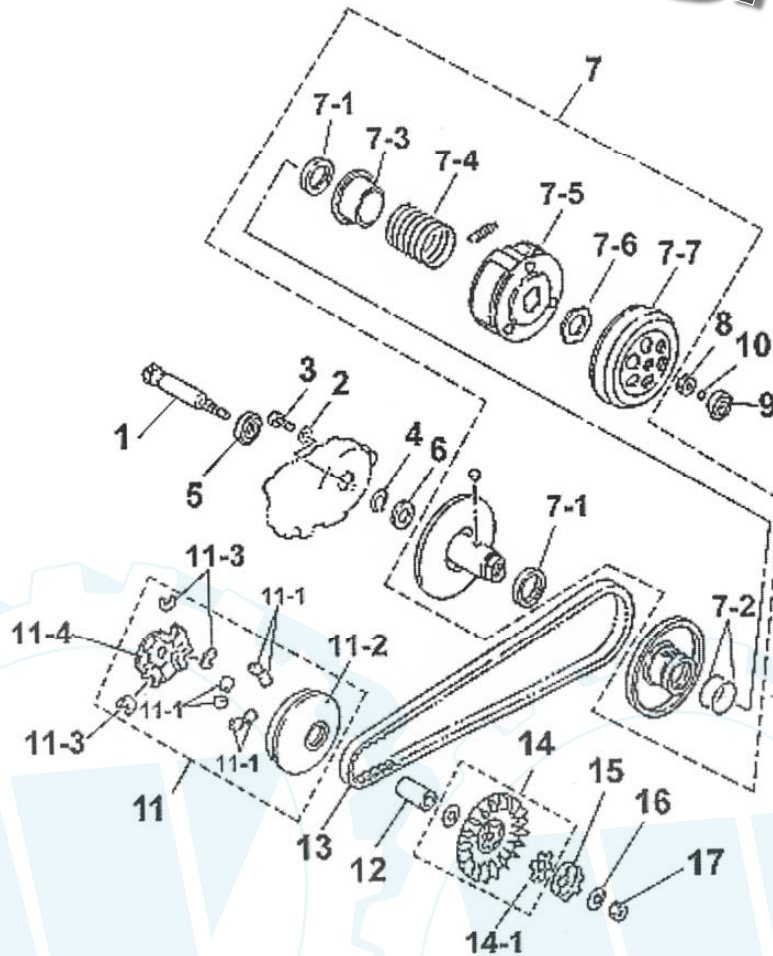
Nr.	E-Teil Nr.	Beschreibung	Stk.
7-1	B8110-B02-0000	GEAR COMP STARTING CLUTCH	1
7-2	I1100-555913	BRG NEEDLE	1
7-3	B8115-B00-0000	BOSS, GEAR	1
7-4	I4104-55506	WASHER	1
7-5	B8120-B02-0000	STARTER CLUTCH ASSY.	1
7-6	B8100-B02-0000	IDLER GEAR ASSY.	1
7-7	B8102-B02-0000	SHAFT IDLER GEAR (\varnothing 8x29)	1
7-8	I4104-08218	WASHER	2
7-9	B8105-B00-0000	PLATE, IDLER GEAR	1
7-10	I3892-06014-0H	SCREW, WASHER	2
7-11	B8250-B00-9000	KICK SHAFT ASSY.	1
7-12	B8281-B00-0000	SPRING, TORSION	1
7-13	B8254-B00-0000	BUSH, SOLID	1
7-14	I4104-15010	WASHER	1
7-15	I4510-15000	CIRCLIP	1
7-16	B8300-B00-8000	KICK CRANK ASSY.	1
7-17	B823A-B00-0000	KICK PINION ASSY.	1
7-18	A1000-5EA0-0000	RUBBER CAP, KICK SHAFT	1

8 Variomatik



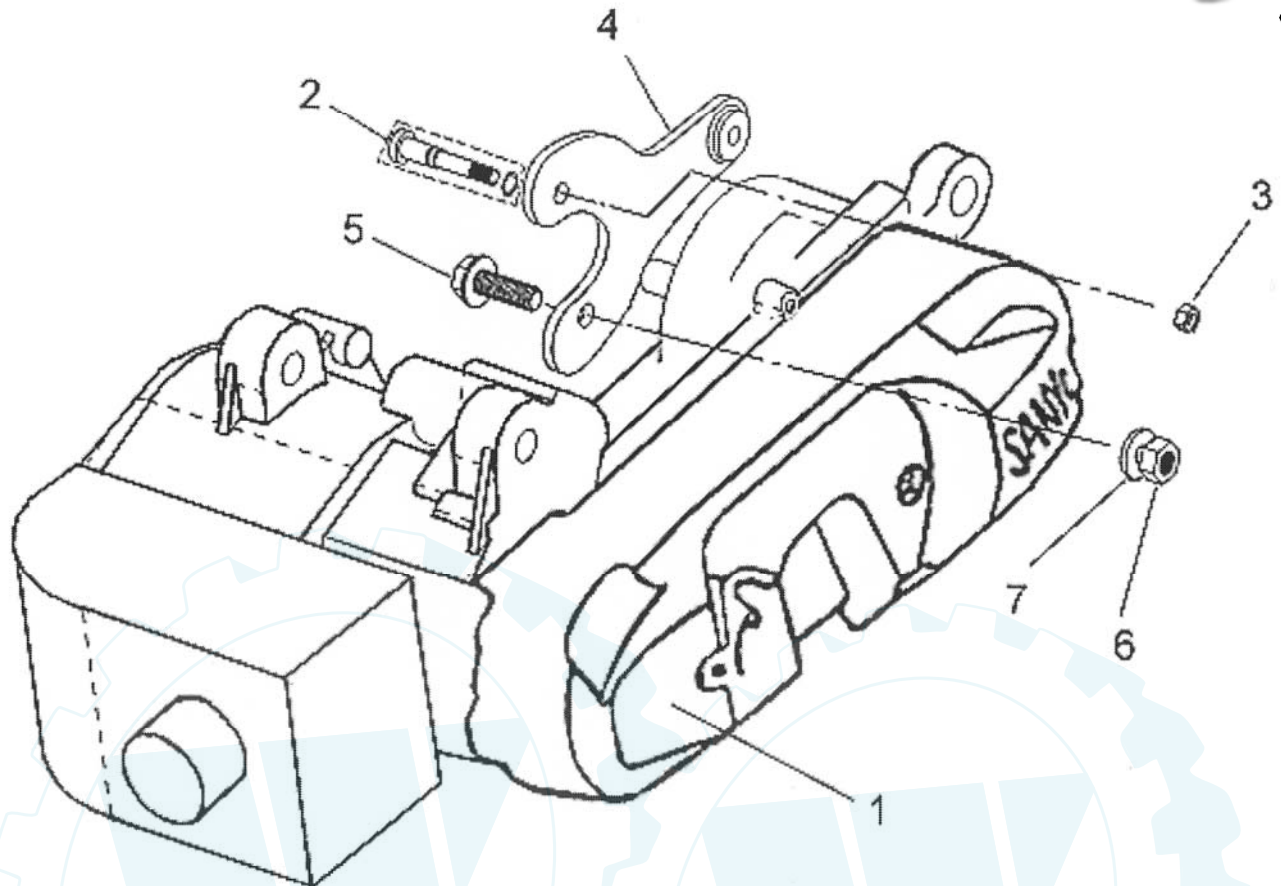
Nr.	E-Teil Nr.	Beschreibung	Stk.
8-1	B3411-B02-0000	SHAFT DRIVE	1
8-2	I4104-06512A	WASHER	1
8-3	I3500-06010-0A	SCREW PAN	1
8-4	I4510-17000	CIRCLIP	1
8-5	I6100-60030	BEARING RADIAL BALL (6003)	1
8-6	I1203-B00-0000	OIL SEAL (17x28x5.5)	1
8-7	B301A-B02-9000	SECONDARY SHEAVE ASSY.	1
*8-7-1	I1211-B00-0000	SEAL, OIL	2
*8-7-2	I4608-36719	O-RING	2
*8-7-3	B3237-B00-0000	SEAT, SECONDARY SPRING	1
*8-7-4	B3233-B02-0000	SPRING COMP RESSION	1
*8-7-5	B2300-B00-0000	CLUTCH CARRIER ASSY	1
*8-7-6	I4002-281A0	NUT HEXAGON	1
*8-7-7	B2100-B00-0000	CLUTCH HOUSING COMP	1
8-8	I4050-10080-0H	NUT, HEXAGON HEAD	1
8-9	I6130-60380-10	BEARING, BALL, RADIAL	1
8-10	I4608-64531	O-RING	1
8-11	B211A-B02-0000	PRIMARY SLIDING SHEAVE COMP.	1
8-11-1	B2121-B02-0000	ROLLER COMP WEIGHT	6
8-11-2	B2110-B02-0000	PRIMARY SLIDING SHEAVE	1
8-11-3	B2132-B00-0000	SLIDER	3
8-11-4	B2131-B02-0000	PLATE RAMP	1
8-12	B2105-B02-0000	COLLAR	1

8 Variomatik



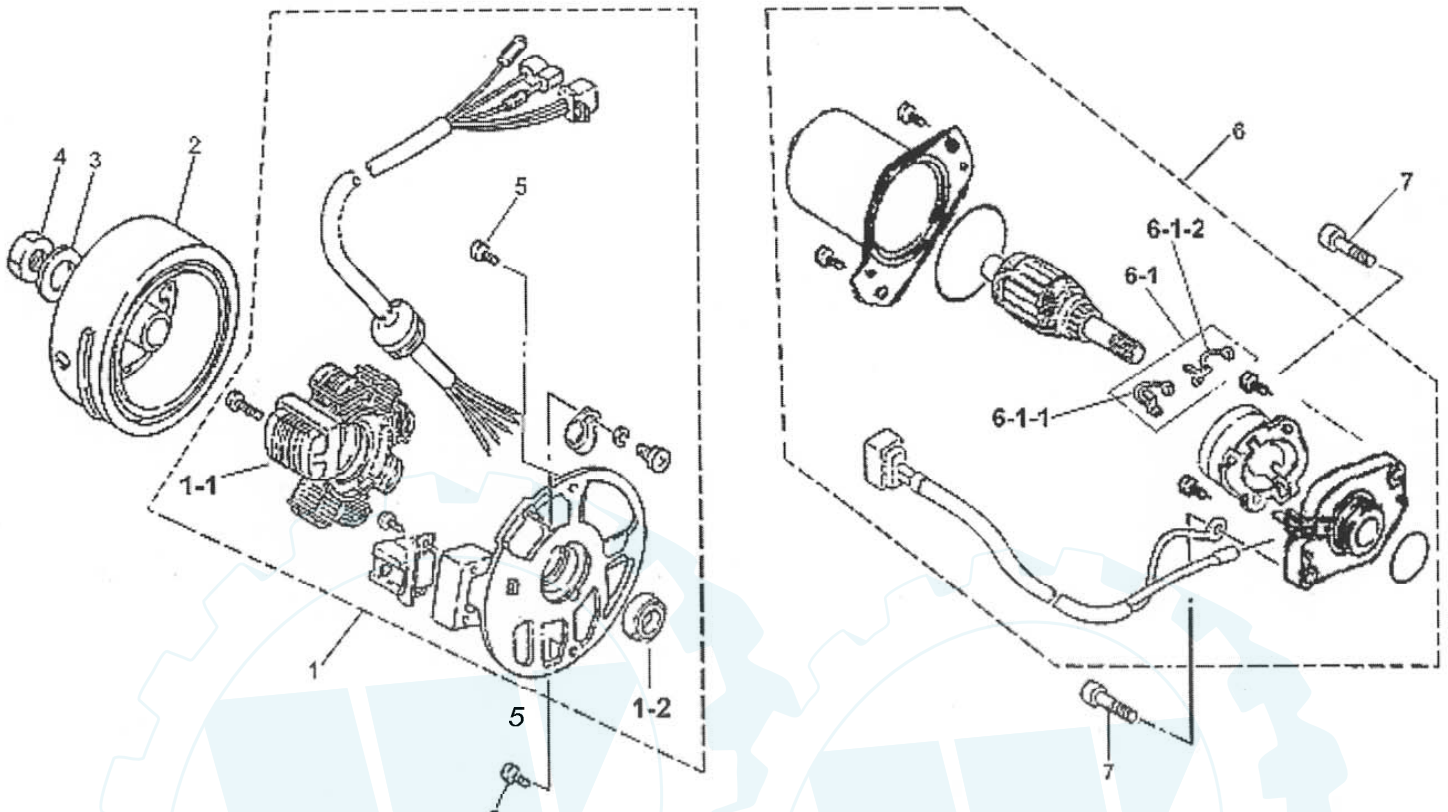
Nr.	E-Teil Nr.	Beschreibung	Stk.
8-13	B3100-B00-0000	V-BELT	1
8-14	B2102-B02-0000	SHEAVE, PRIMARY FIXED	1
8-14-1	B2103-B02-0000	WASHER, CLAW	1
8-15	B8211-B02-0000	CLUTCH, ONEWAY	1
8-16	I700W-10126	SPOKE NIPPLE WASHER	1
8-17	I4001-100C0	NUT, HEXAGON HEAD	1

9 Motoraufhängung



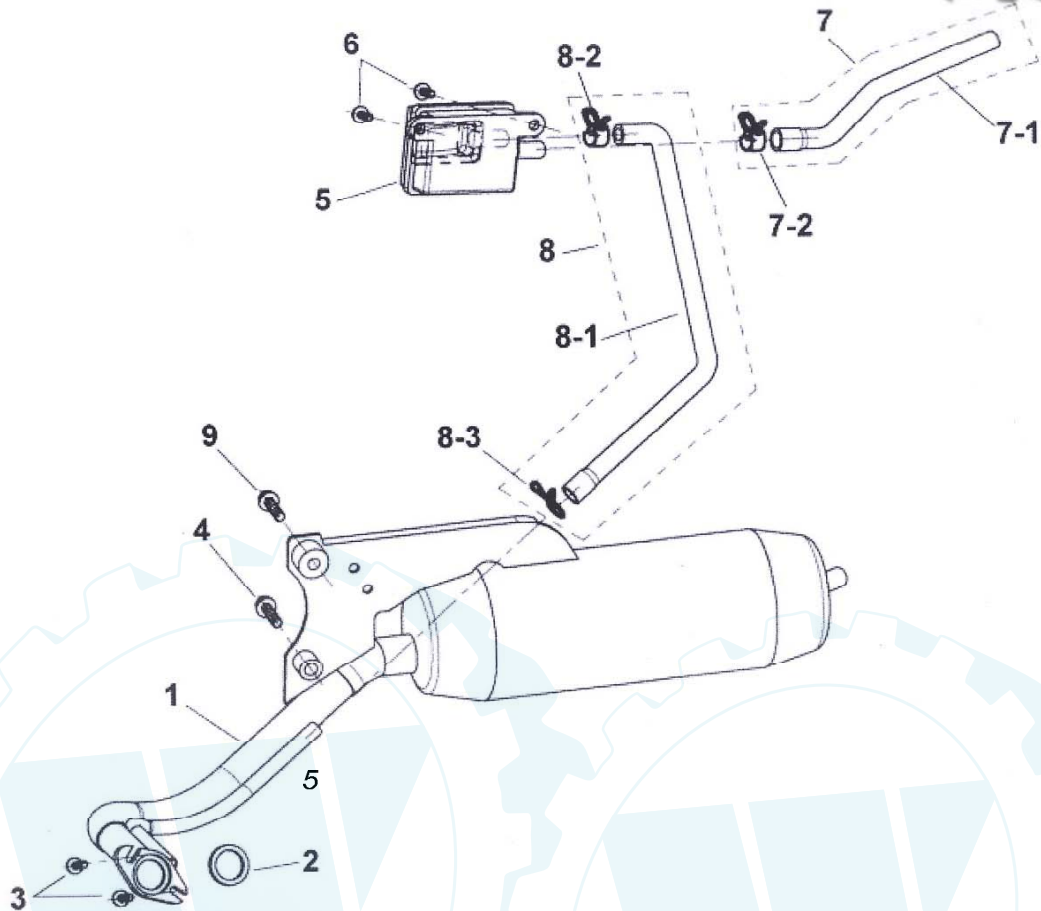
Nr.	E-Teil Nr.	Beschreibung	Stk.
9-1	AB000-B02-3000	ENGINE, ATV	1
9-2	A1261-B00-9000	PIN, PIVOT	1
9-3	I0309-0800H	NUT, HEXAGON HEAD CHECK	1
9-4	A1241-B00-9000	ENGINE BRACKET	1
9-5	I5702-12038-0H	BOLT FLANGE	1
9-6	I4001-121H0	NUT, HEXAGON HEAD	1
9-7	I4104-12210	WASHER	1

10 Lichtmaschine, Starter



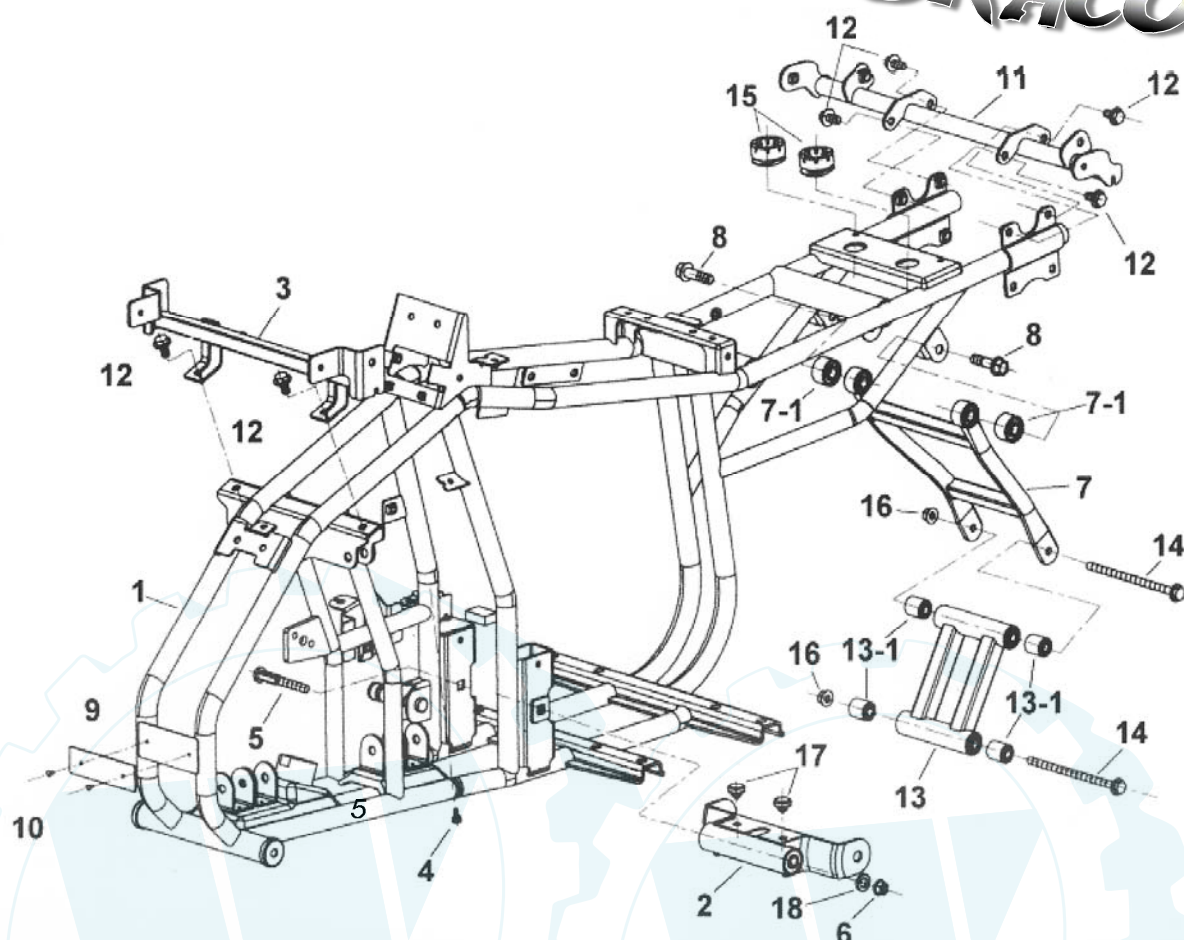
Nr.	E-Teil Nr.	Beschreibung	Stk.
10-1	C1120-B00-0000	STRATOR COMP ASSY.	1
*10-1-1	C1121-B00-0000	STRATOR COMP	1
*10-1-2	I1205-B00-0000	SEAL OIL(19x26x5)	1
10-2	C1110-B02-0000	FLYWHEEL COMP.	1
10-3	I4102-10520	WASHER	1
10-4	I4001-100C0	NUT HEXAGON HEAD	1
10-5	I3500-06016-0A	SCREW PAN	2
10-6	C1200-B02-0000	STARTER MOTOR ASSY.	1
10-6-1	C1220-B02-0000	CARBON BRUSH ASSY.	1
*10-6-1-1	C1221-B02-0000	POSITIVE CARBON BRUSH	1
*10-6-1-2	C1222-B02-0000	NEGATIVE CARBON BRUSH	1
10-7	I6001-06022-0H	NO: 11 BOLT HEXAGON HEAD (M6x22)	2

11 Auspuff



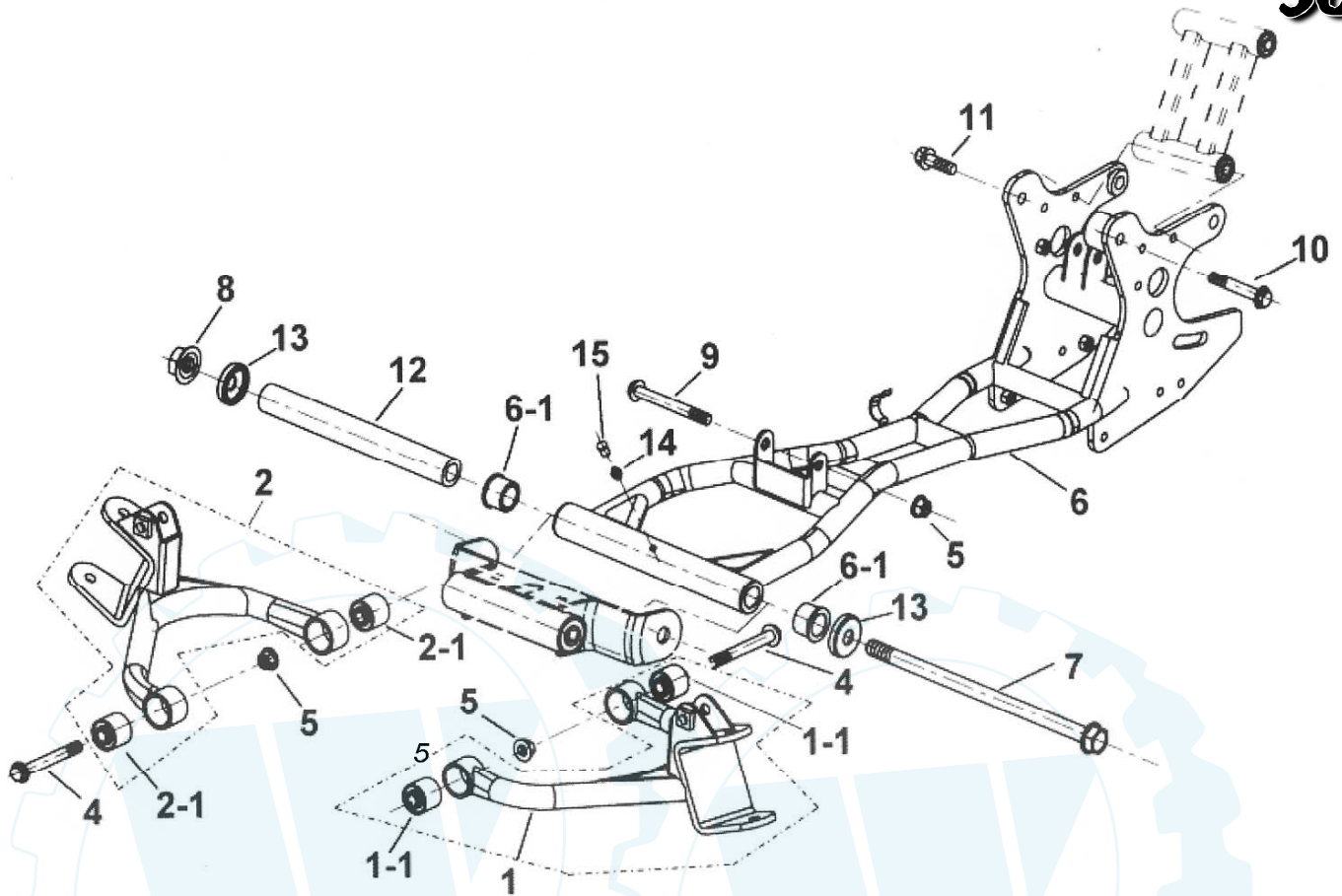
Nr.	E-Teil Nr.	Beschreibung	Stk.
13-1	A830A-5PA0-0000	MUFFLER ASSY.	1
13-2	A8291-5AA0-0000	GASKET (\varnothing 34×25.4×4)	1
13-3	I0149-06810	BOLT, FLANGE (M6×18)	2
13-4	I0149-08036-01	BOLT, FLANGE (M8×36)	1
13-5	A7400-5PA0-0000	REED VALVE ASSY.	1
13-6	I0119-06802	BOLT, FLANGE (M6×16)	2
13-7	A7410-5PA0-0000	REED VALVE TUBE ASSY.	1
13-7-1	A7411-5PA0-0000	REED VALVE TUBE	1
13-7-2	A7412-5PA0-0000	CLIP	1
13-8	A7420-5PA0-0000	CONNECTING TUBE ASSY.	1
13-8-1	A7421-5PA0-0000	CONNECTING TUBE	1
13-8-2	A7412-5PA0-0000	CLIP	1
13-8-3	A7422-5PA0-0000	CLIP	1
13-9	I0149-08016	BOLT, FLANGE (M8×16)	1

12 Rahmen



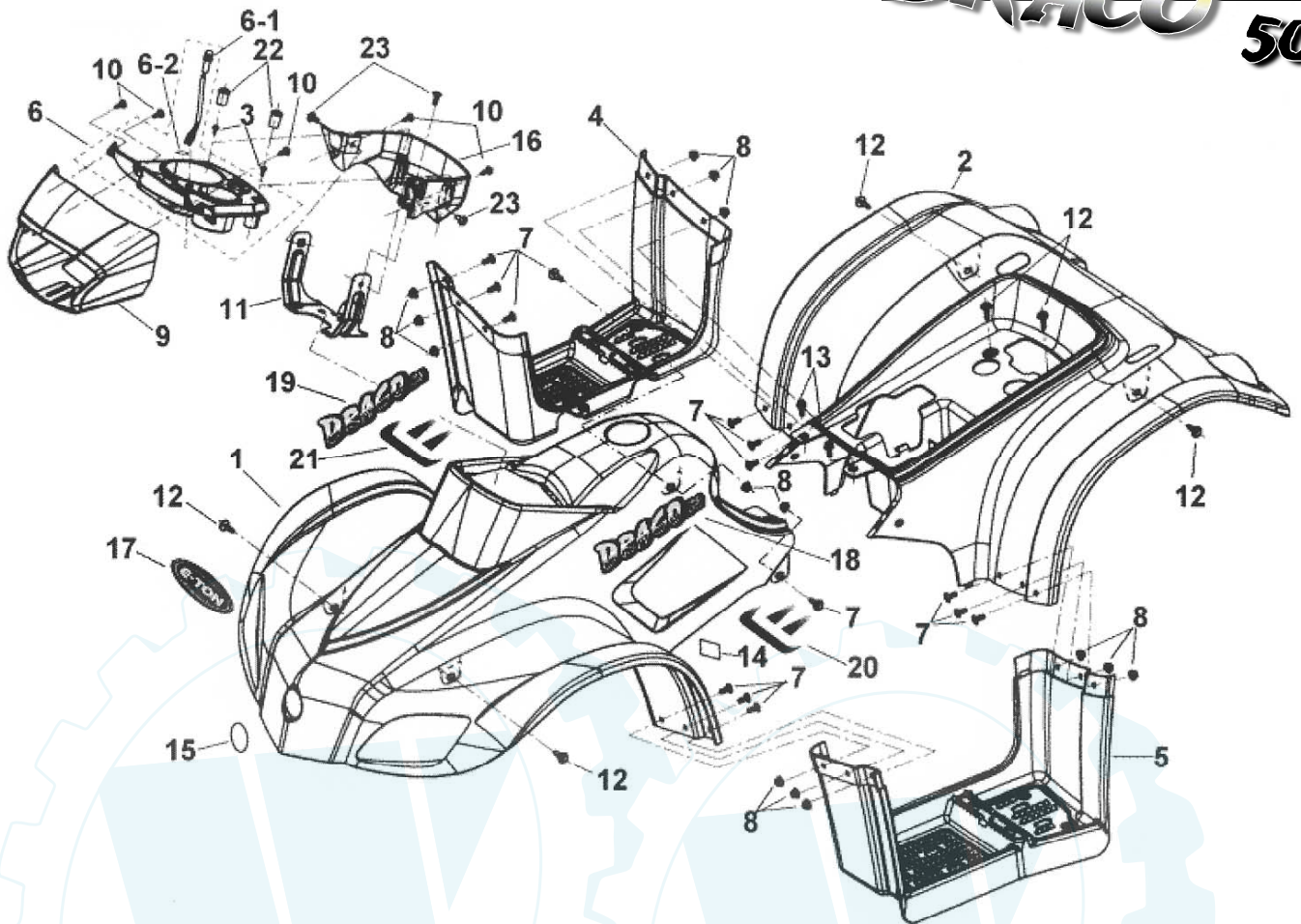
Nr.	E-Teil Nr.	Beschreibung	Stk.
14-1	E0100-9PA0-0000	FRAME COMP.	1
14-2	E0350-9PA0-0000	ENGINE SUSPENSION	1
14-3	E0105-9PA0-0000	SUPPORT BAR, FRONT FENDER	1
14-4	E7401-BCA0-0000	RUBBER, BUFFER	1
14-5	E0352-FIA0-0000	SCREW, TETRAGON ROUND HEAD	1
14-6	I5611-10200	NUT, FLANGE CHECK(M10)	1
14-7	E0330-9PA0-0000	ENGINE, REAR SUSPENSION(UP)	1
14-7-1	E0331-9PA0-0000	PRECAUTION BUSH	2
14-8	I2502-10037-0A	BOLT, FLANGE (M10×37)	2
14-9	H7501-5PA0-0000	VIN NO. PLATE	1
14-10	H750A-5BA1-0000	NAIL PULL	2
14-11	E0110-9PA0-0000	SUPPORT BAR, REAR FENDER	1
14-12	I0149-08016	BOLT, FLANGE (M8×16)	6
14-13	E0340-9PA0-0000	ENGINE, REAR SUSPENSION(DOWN)	1
14-13-1	E0201-4HA0-0000	PRECAUTION BUSH	4
14-14	I2302-08135-1G	BOLT, FLANGE(M8×135)	2
14-15	G7212-5EA0-0000	RUBBER CHUNK	2
14-16	I5611-08200	NUT, FLANGE	2
14-17	G7232-5PA0-0000	RUBBER	2
14-18	I9905-12100	WASHER(φ 13×φ 21×4t)	1

13 Schwinge hinten



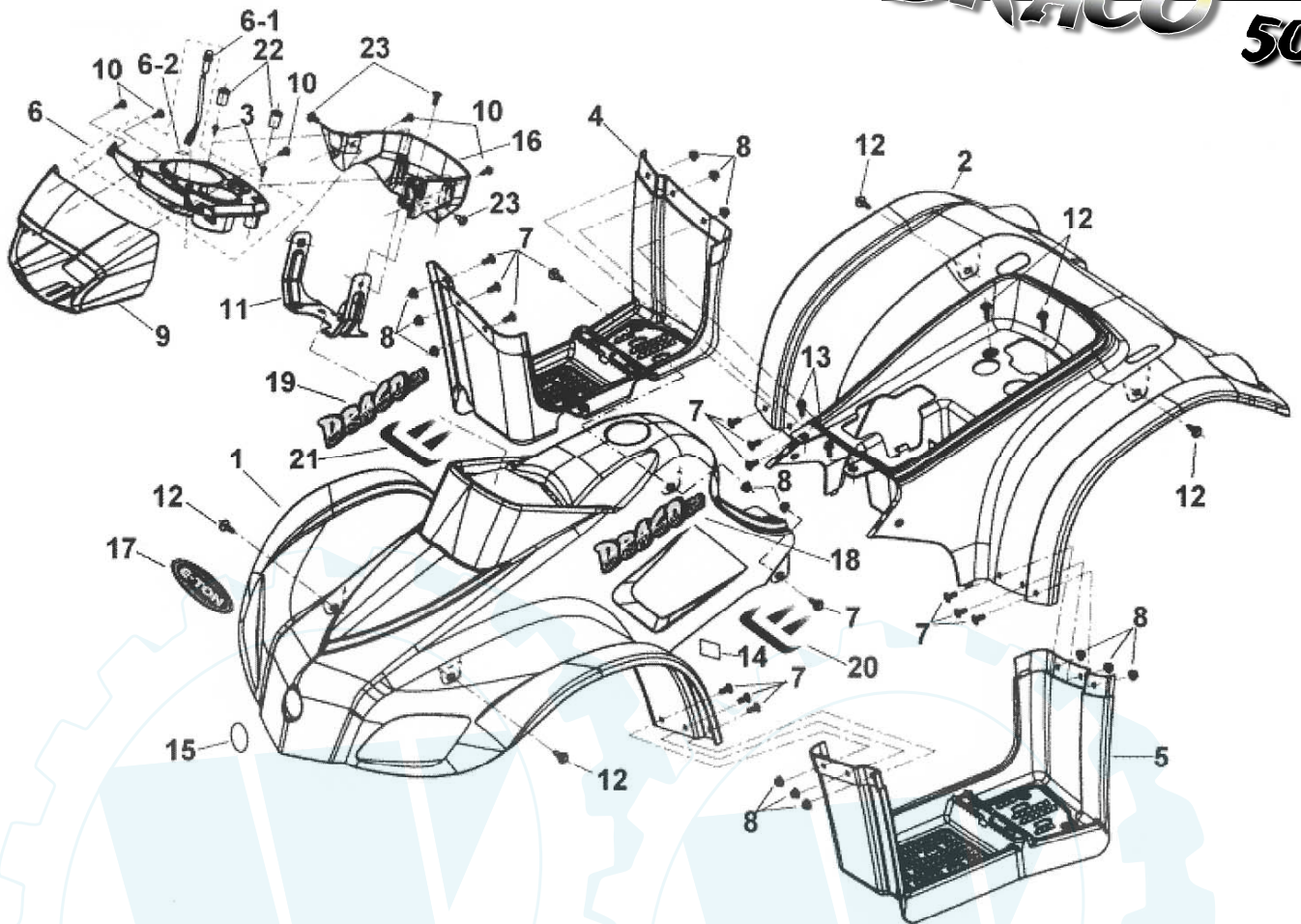
Nr.	E-Teil Nr.	Beschreibung	Stk.
15-1	E0200-9PA0-0000	ARM, SUSPENSION, L.H.	1
15-1-1	E0201-9FA0-0000	BUSH, ARM SUSPENSION	2
15-2	E0210-9PA0-0000	ARM, SUSPENSION, R.H.	1
15-2-1	E0201-9FA0-0000	BUSH, ARM SUSPENSION	2
15-4	I0149-10080	BOLT, FLANGE (M10x80)	2
15-5	I5611-10200	NUT, HEXAGON CHECK (M10)	3
15-6	E220A-9PA0-0000	SWING ARM SUB ASSY.	1
15-6-1	E2208-5EA0-0000	OIL LINER	2
15-7	E2201-FIA0-0000	BOLT, SWING ARM SUB	1
15-8	I5611-14200	NUT, FLANGE CHECK (M14)	1
15-9	I0149-10085	BOLT, FLANGE (M10x85)	1
15-10	I0149-10060	BOLT, FLANGE (M10x60)	1
15-11	I0149-10030	BOLT, FLANGE (M10x30)	1
15-12	E2209-FIA0-0000	SPACER	1
15-13	E2205-5EA0-0000	CAP	2
15-14	I6600-06000	GREASE VALVE	1
15-15	E0209-5EA0-0000	CAP, GREASE VALVE	1

14 Coverteile



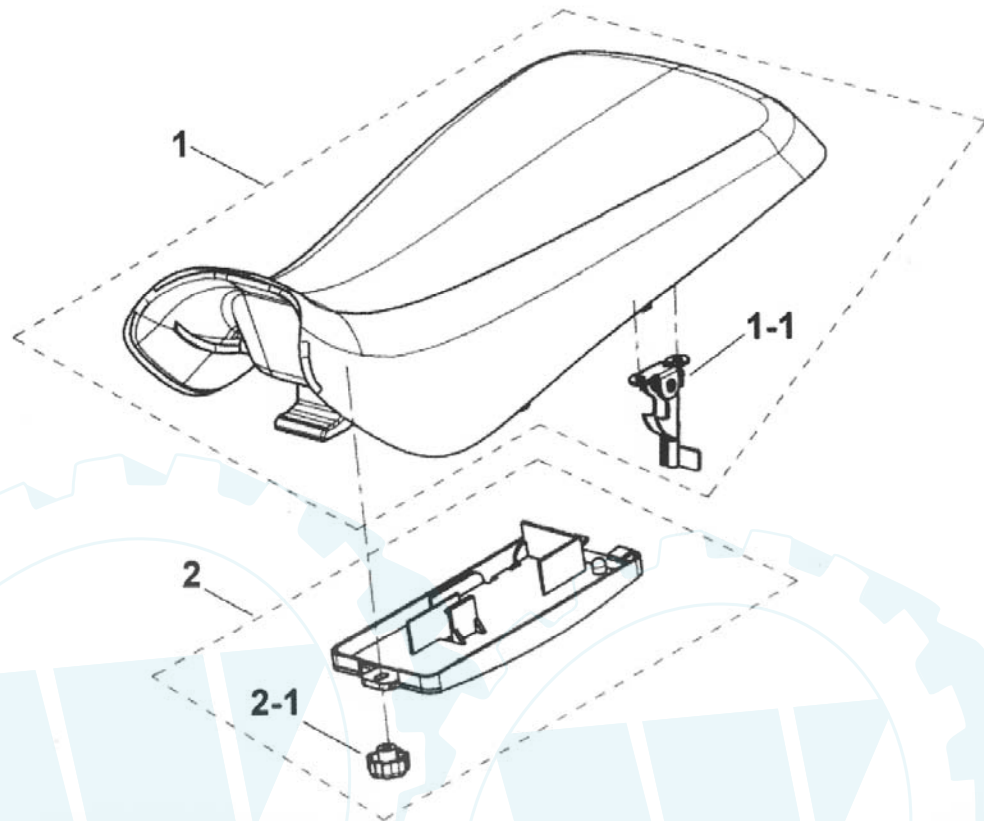
Nr.	E-Teil Nr.	Beschreibung	Stk.
16-1	F4300-9PA0-4200	FRONT FENDER(REDF)	1
	F4300-9PA0-5400	FRONT FENDER(BLUE)	1
	F4300-9PA0-0700	FRONT FENDER(SILVER)	1
16-2	H3500-9PA0-4200	REAR FENDER(REDF)	1
	H3500-9PA0-5400	REAR FENDER(BLUE)	1
	H3500-9PA0-0700	REAR FENDER(SILVER)	1
16-3	I7707-04016	SELF-TAPPING SCREW(M4x16)	2
16-4	H3520-9PA0-0000	FOOTREST, PLACTIC PART, LEFT	1
16-5	H3620-9PA0-0000	FOOTREST, PLACTIC PART, RIGHT	1
16-6	E3205-5PA0-0800	COVER, HANDLE BAR UP (BLACK)	1
16-6-1	C3101-FIA0-0000	OIL PILOT LAMP(REDF)	1
16-6-2	H7101-5EE0-0000	STICKER, OIL PILOT LAMP	1
16-7	I2200-06018-0N	SCREW	14
16-8	I5611-06200-0G	NUT, CHECK	14
16-9	F3100-5PA0-4200	LAMPSHADE (REDF)	1
	F3100-5PA0-5400	LAMPSHADE (BLUE)	1
	F3100-5PA0-0700	LAMPSHADE (SILVER)	1
16-10	I2804-04013-5C	SELF-TAPPING SCREW(M4x13)	5
16-11	C7203-5PA0-0000	SPEEDOMETER BRACKET ASSY.	1
16-12	I0119-06802	BOLT, FLANGE WITH WASHER	6
16-13	I0119-06821	BOLT, FLANGE WITH WASHER	2
16-14	H7100-5FA0-0000	LABEL TIRE	1
16-15	H7107-5EB0-0000	EMBLEM, E-TON(SILVER)	1

14 Coverteile



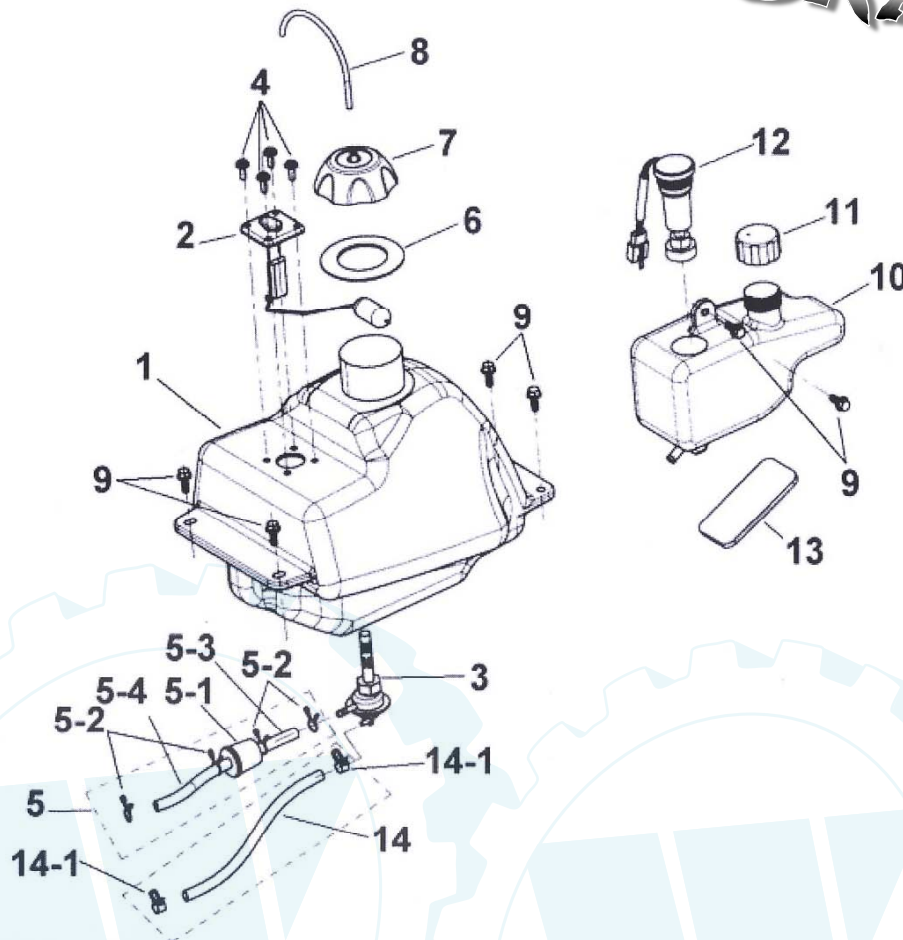
Nr.	E-Teil Nr.	Beschreibung	Stk.
16-16	E3206-5PA0-0800	COVER, HANDLE BAR DOWN(BLACK)	1
16-17	H7121-5PA0-0000	STICKER, FRONT FENDER	1
16-18	H7103-5PA0-0000	STICKER, DRACO BXL-50(LEFT)	1
16-19	H7104-5PA0-0000	STICKER, DRACO BXL-50(RIGHT)	1
16-20	H7124-9PA0-0000	STICKER,FRONT FRAME COVER(L)	1
16-21	H7125-9PA0-0000	STICKER,FRONT FRAME COVER(R)	1
16-22	H3502-5PA0-0000	PLUG	2
16-23	E0117-9EA0-0000	SCREW(M6×18)	3

15 Sitz

DRACO 
50


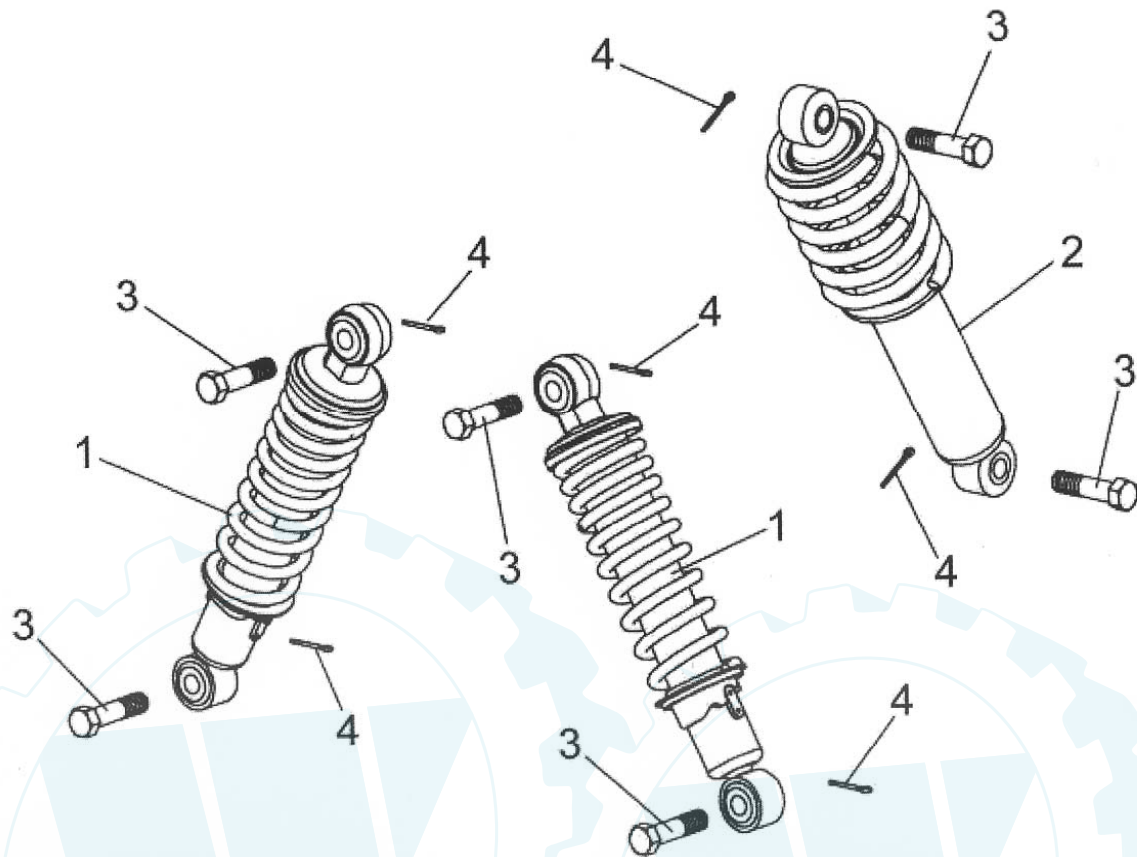
<i>Nr.</i>	<i>E-Teil Nr.</i>	<i>Beschreibung</i>	<i>Stk.</i>
17-1	G7200-5PA0-0000	SEAT ASSY.	1
17-1-1	G7201-9PA0-0000	SEAT FIXER ASSY	1
17-2	G7204-9PA0-0000	BOTTOM COVER ASSY.	1
17-2-1	G7205-9PA0-0000	BOTTOM COVER, SCREW	1

16 Tank, Öltank



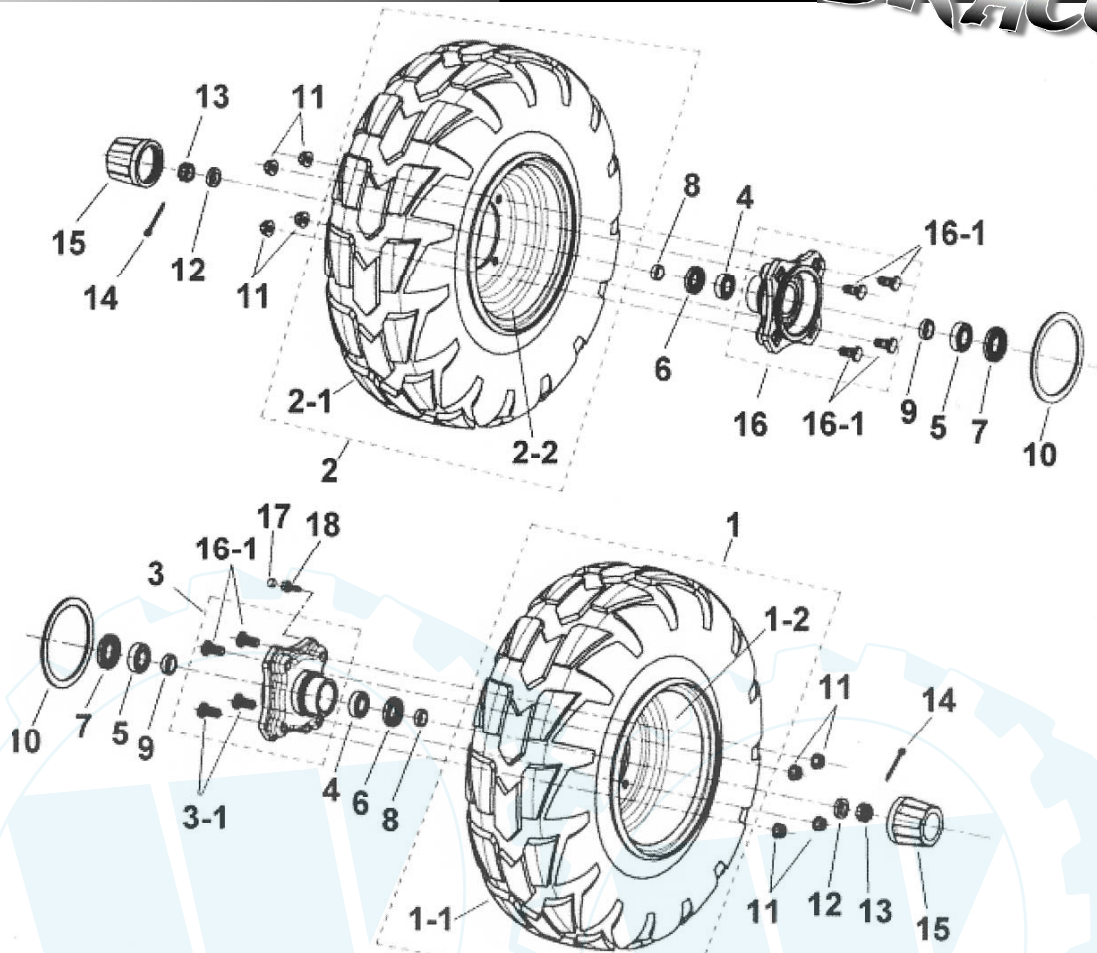
Nr.	E-Teil Nr.	Beschreibung	Stk.
18-1	A7500-5PA0-0000	FUEL TANK ASSY.	1
18-2	C780A-FIA0-0000	METER FUEL LEVER	1
18-3	A6701-FIA0-0000	FUEL COCK ASSY.	1
18-4	I0200-50160	BOLT, WASHER	4
18-5	A7510-9FA0-1000	FUEL FILTER ASSY.	1
18-5-1	A7519-FIA0-1000	FILTER COMP FUEL	1
18-5-2	A7516-5EA0-0000	CLIP(A)	4
18-5-3	A7514-9FA0-0000	FUEL TUBE (A)	1
18-5-4	A7515-9FA0-0000	FUEL TUBE (B)	1
18-6	A7622-9FA0-0000	RUBBER PAD, FUEL TANK CAP	1
18-7	A7620-9FA0-0000	FUEL TANK CAP ASSY.	1
18-8	A7621-9FA0-0000	BREATHE TUBE	1
18-9	I0119-06821	BOLT, HEXAGON HEAD(M6×21)	6
18-10	E5100-9PA0-0000	OIL TANK ASSY.	1
18-11	E5105-9FA0-0000	OIL TANK CAP ASSY.	1
18-12	C5410-5EE0-0000	OIL TANK BUOY.	1
18-13	E5108-9FA0-0000	RUBBER PAD	1
18-14	A751B-FIA0-0000	VACUUM TUBE COMP	1
18-14-1	A7518-FIA0-0000	CLIP	2

17 Federung



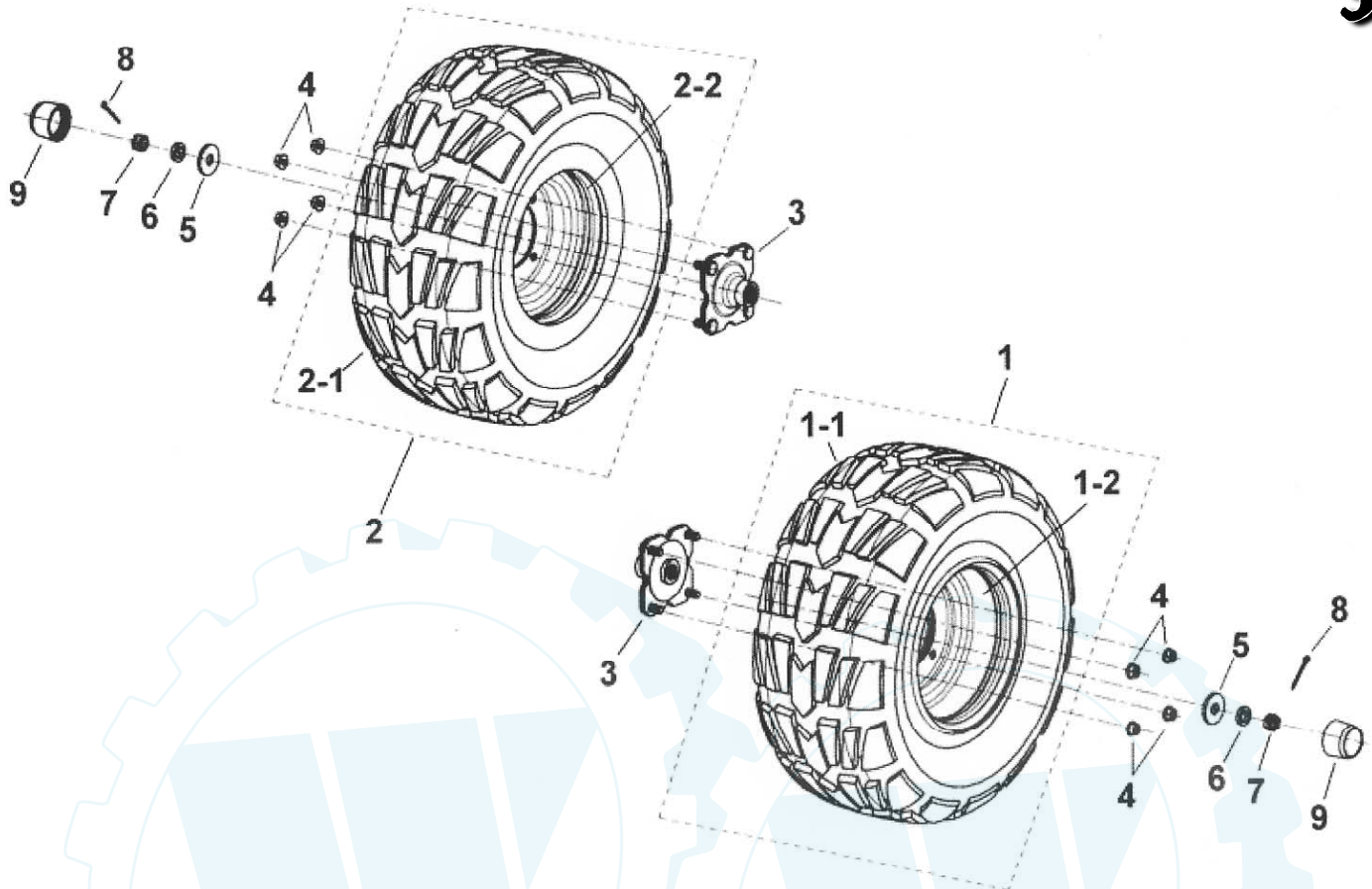
Nr.	E-Teil Nr.	Beschreibung	Stk.
19-1	E1105-9FA0-0000	SUSPENSION, FRONT	2
19-2	E2400-9PA0-0000	SUSPENSION, REAR	1
19-3	I0102-10040B	BOLT,COTTER(M10x40)	6
19-4	I9900-25019	COTTER PIN	6
18-5	A7510-9FA0-1000	FUEL FILTER ASSY.	1
18-5-1	A7519-FIA0-1000	FILTER COMP FUEL	1
18-5-2	A7516-5EA0-0000	CLIP(A)	4
18-5-3	A7514-9FA0-0000	FUEL TUBE (A)	1
18-5-4	A7515-9FA0-0000	FUEL TUBE (B)	1
18-6	A7622-9FA0-0000	RUBBER PAD, FUEL TANK CAP	1
18-7	A7620-9FA0-0000	FUEL TANK CAP ASSY.	1
18-8	A7621-9FA0-0000	BREATHE TUBE	1
18-9	I0119-06821	BOLT, HEXAGON HEAD(M6x21)	6
18-10	E5100-9PA0-0000	OIL TANK ASSY.	1
18-11	E5105-9FA0-0000	OIL TANK CAP ASSY.	1
18-12	C5410-5EE0-0000	OIL TANK BUOY.	1
18-13	E5108-9FA0-0000	RUBBER PAD	1
18-14	A751B-FIA0-0000	VACUUM TUBE COMP	1
18-14-1	A7518-FIA0-0000	CLIP	2

18 Vorderreifen



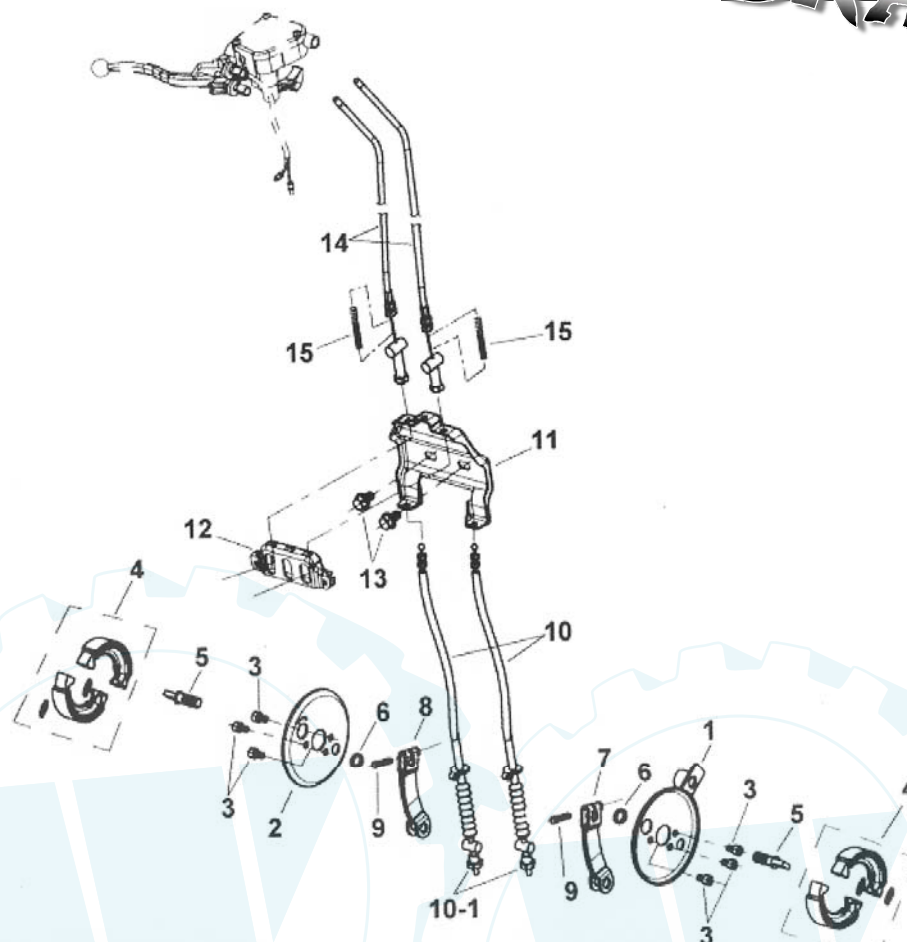
Nr.	E-Teil Nr.	Beschreibung	Stk.
20-1	D471A-5PA0-0000	FRONT WHEEL ASSY.,L EFT	1
20-1-1	D4710-5PA0-0000	FRONT WHEEL TIRE(19x7-8)	1
20-1-2	D4602-5EB0-0000	WHEEL RIM(8x5.5)	1
20-2	D471B-5PA0-0000	FRONT WHEEL ASSY., RIGHT	1
20-2-1	D4710-5PA0-0000	FRONT WHEEL TIRE(19x7-8)	1
20-2-2	D4602-5EB0-0000	WHEEL RIM(8x5.5)	1
20-3	D4610-5PA0-0000	BRAKE DRUM, FRONT RIGHT	1
20-3-1	D4612-9FA0-0000	STUD	4
20-4	I6100-6202Z	OUTER BEARING(ϕ 15x35x11)	2
20-5	I6100-6203Z	INNER BEARING(ϕ 17x40x12)	2
20-6	D4624-9FA0-0000	OUTER OIL SEAL(ϕ 20x35x7)	2
20-7	D4623-9FA0-0000	INNER OIL SEAL(ϕ 22x40x7)	2
20-8	D4621-9FA0-0000	OUTER SPACER (ϕ 15.5x ϕ 20x8)	2
20-9	D4620-9FA0-0000	INNER SPACER(ϕ 17x ϕ 24x8)	2
20-10	D4611-9FA0-0000	GASKET, ANTIDUST	2
20-11	D4611-9EAO-0000	NUT,FLANGE CHECK(M10)	8
20-12	I9905-14200	WASHER(ϕ 15x24x2.3)	2
20-13	I5500-14100	CASTLE NUT(M14)	2
20-14	I9900-30032	COTTER PIN	2
20-15	D4609-9FA0-0000	RUBBER CAP	2
20-16	D4610-9FA0-0000	BRAKE DRUM, FRONT LEFT	1
20-16-1	D4612-9FA0-0000	STUD	4
20-17	C7205-5PA0-0000	MAGNET(ϕ 10)	1
20-18	D4613-5PA0-0000	SCREW	1

19 Hinterreifen



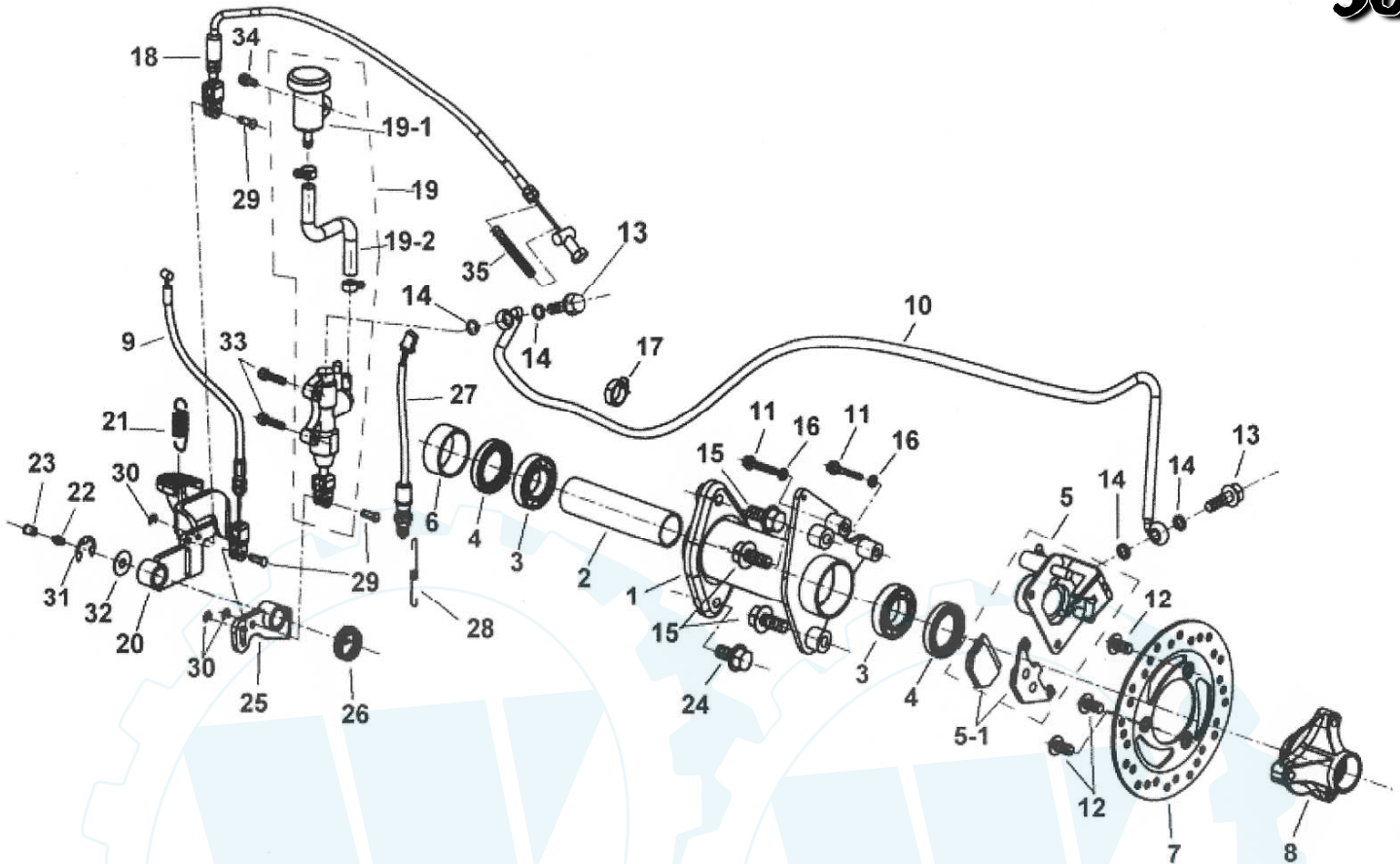
Nr.	E-Teil Nr.	Beschreibung	Stk.
21-1	D471C-5PA0-0000	REAR WHEEL ASSY., LEFT	1
21-1-1	D4711-5PA0-0000	REAR WHEEL TIRE ASSY	1
21-1-2	D4601-5FA0-0000	WHEEL RIM (8×7)	1
21-2	D471D-5PA0-0000	REAR WHEEL ASSY., RIGHT	1
21-2-1	D4711-5PA0-0000	REAR WHEEL TIRE ASSY	1
21-2-2	D4601-5FA0-0000	WHEEL RIM (8×7)	1
21-3	D2705-9EAO-1000	SHAFT CONNECTER WITH BOLTS	2
21-4	D4611-9EAO-0000	NUT, FLANGE CHECK(M10)	8
21-5	D2309-5EAO-0000	WHEEL AXLE WASHER, REAR ($\phi 40 \times \phi 14 \times 4.5t$)	2
21-6	I9905-14200	WASHER($\phi 24 \times \phi 15 \times 2.3$)	2
21-7	I5500-14100	CASTLE NUT(M14)	2
21-8	I9900-30032	COTTER PIN	2
21-9	D4609-5EAO-0000	RUBBER COVER	2

20 Vorderbremse



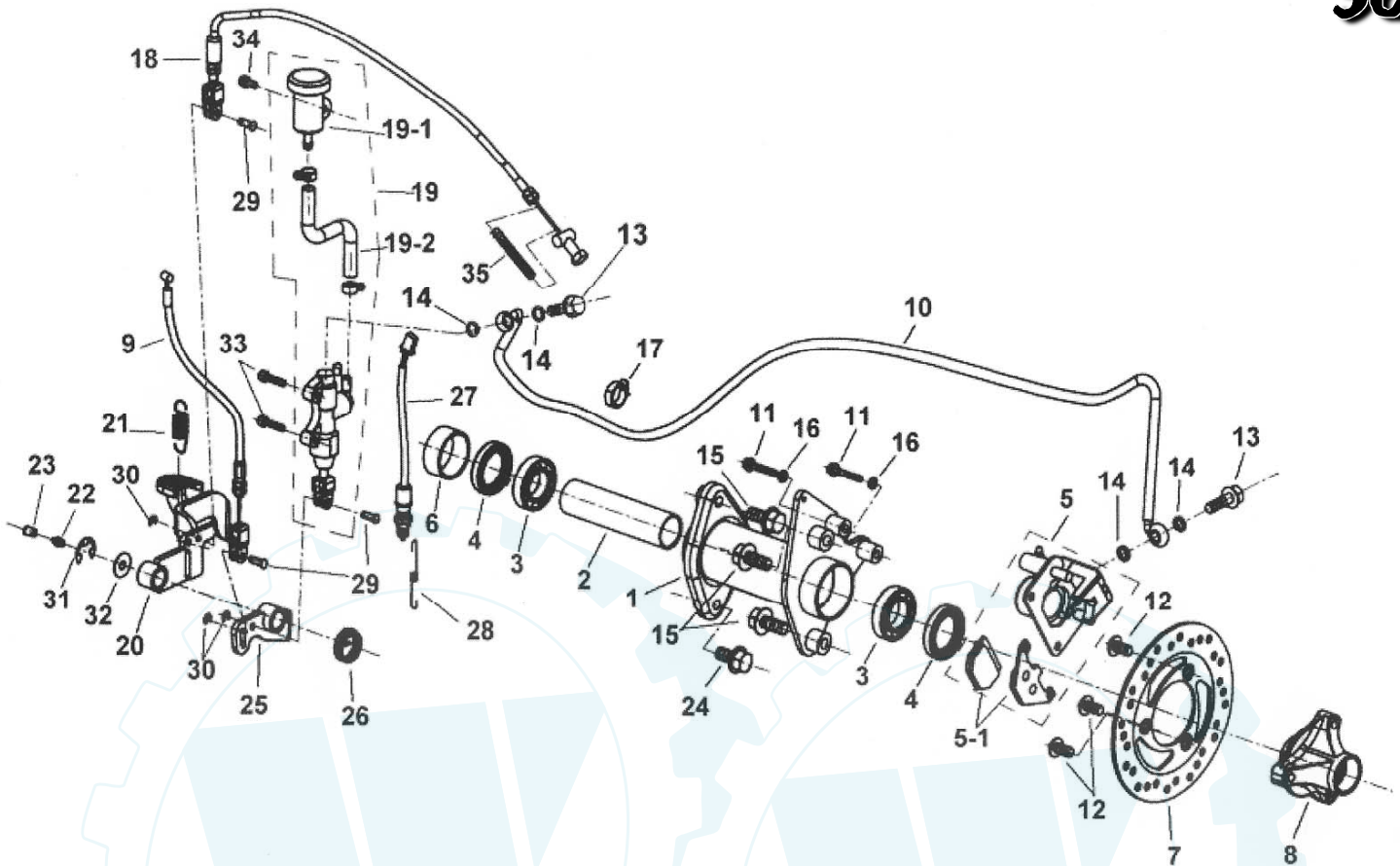
Nr.	E-Teil Nr.	Beschreibung	Stk.
22-1	D5351-5PA0-0000	FRONT BRAKE PANEL COMP., LEFT	1
22-2	D5352-9FA0-0000	FRONT BRAKE PANEL COMP., RIGHT	1
22-3	I0050-06010	SCREW, SOCKET (M6x10)	6
22-4	D5120-9FA0-0000	FRONT BRAKE SHOE COMP. (φ 80)	2
22-5	D5141-FIA0-0000	FRONT BRAKE ARM CAM	2
22-6	D5149-5EA0-0000	FELT SEAL	2
22-7	D5410-9FA0-0000	FRONT BRAKE ARM, LEFT	1
22-8	D5411-9FA0-0000	FRONT BRAKE ARM, RIGHT	1
22-9	I0020-05024	BOLT (M5x24)	2
22-10	E5450-9PA0-0000	CABLE, FRONT BRAKE	2
22-10-1	E5452-9FA0-0000	NUT, ADJUSTING	2
22-11	E5457-FIC0-0000	BRAKE ALLOT ASSY.	1
22-12	E5458-FIC0-0000	BRAKE BALANCE ASSY.	1
22-13	I0149-08012	BOLT, FLANGE	2
22-14	E5453-9PA0-0000	CABLE, FRONT BRAKE ALLOT ASSY.	2
22-15	D3416-FIC0-0000	FRONT SPRING BRAKE (L=65)	2

21 Hinterbremse



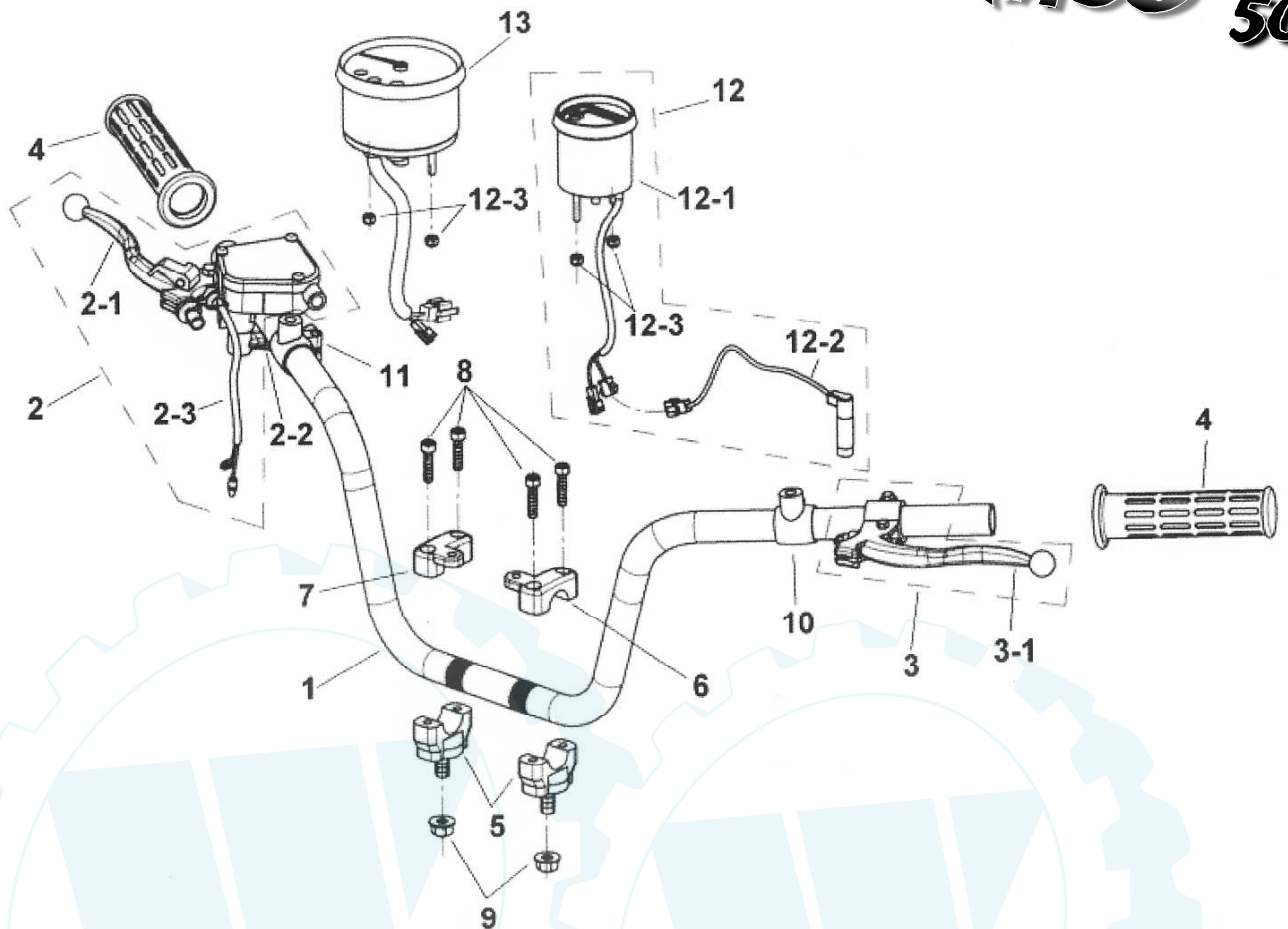
Nr.	E-Teil Nr.	Beschreibung	Stk.
23-1	D2310-5EE0-0000	BEARING SEAT ASSY., REAR WHEEL AXLE	1
23-2	D2311-5EA0-0000	SPACER	1
23-3	I6100-6006ZZ	BEARING(6006ZZ)	2
23-4	D2313-9EA0-0000	OIL SEAL (42x55x8)	2
23-5	G7130-5EE0-0000	BRAKE CALLIPER	1
23-5-1	G7131-5EE0-0000	BRAKE SHOE COMP	1
23-6	D0114-9EA0-0000	SPACER	1
23-7	D3520-FIA0-0000	BRAKE DISK	1
23-8	D3251-5EE0-0000	BRAKE DISK MOUNTING SEAT	1
23-9	E3450-9PA0-0000	CABLE,BRAKE REAR ASSY.	1
23-10	D3210-9PA0-0000	BRAKE OIL TUBE	1
23-11	I0105-08035	BOLT,FLANGE (M8x35)	2
23-12	I0110-10811	BOLT, ROUND HEAD(M10)	3
23-13	I0401-10034	UNION BOLT, BRAKE HOSE	2
23-14	I0201-10118	WASHER, PLATE	4
23-15	I0141-12028-01	BOLT,FLANGE(M12x28)	3
23-16	I9901-08100	SPRING WASHER	2
23-17	D3211-9KA0-0000	CLIP	1
23-18	E0452-9PA0-0000	CABLE, PEDAL MIDDLE BRAKE ASSY.	1
23-19	D3200-9PA0-0000	BRAKE MASTER CYLINDER	1
23-19-1	D3206-9PA0-0000	BRAKE OIL RESERVOIR	1
23-19-2	D3207-9PA0-0000	BRAKE RESERVOIR OIL TUBE	1
23-20	E0708-9PA0-0000	PEDAL COMP BRAKE	1

21.1 Hinterbremse



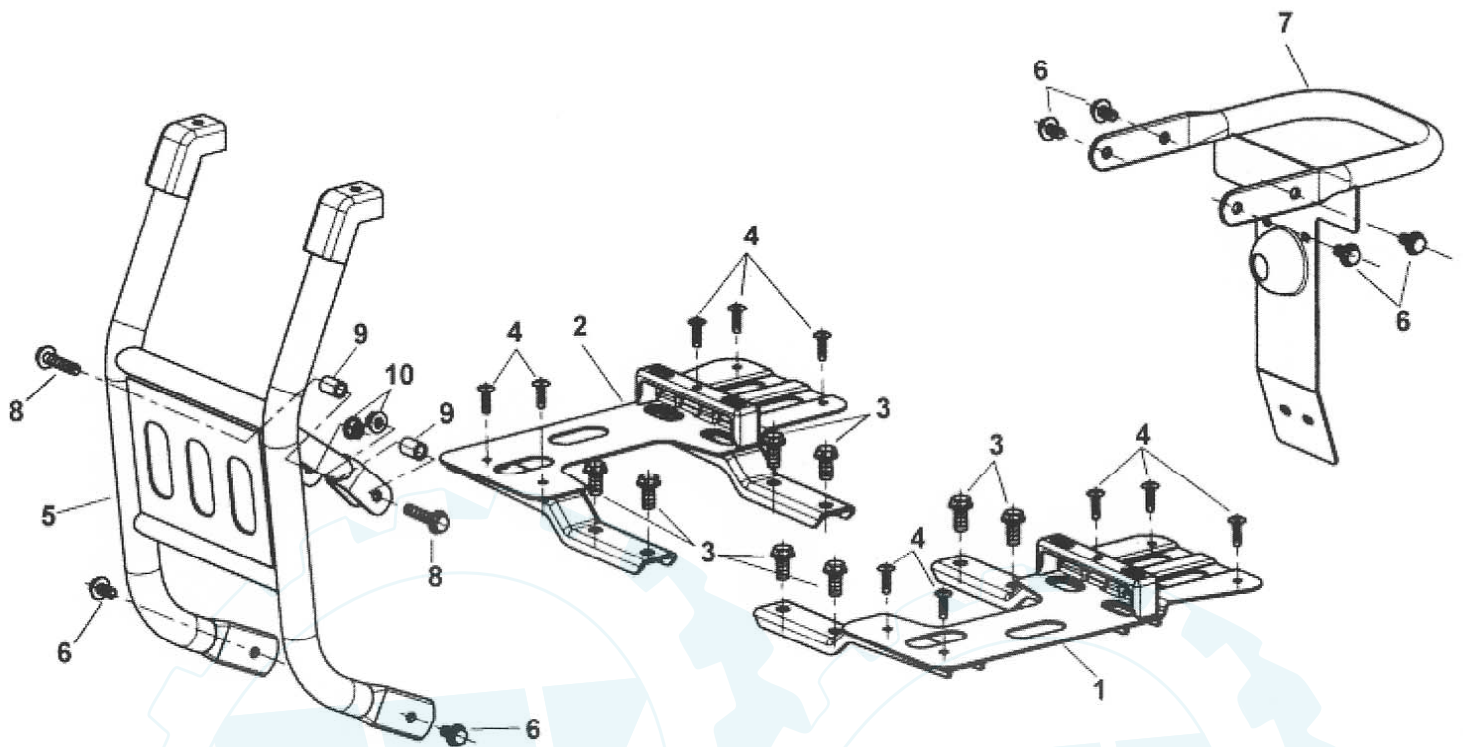
Nr.	E-Teil Nr.	Beschreibung	Stk.
23-21	I5016-EGA0-0000	SPRING	1
23-22	I6600-06000	GREASE VALVE	1
23-23	E0209-5EA0-0000	CAP, GREASE VALVE	1
23-24	I0141-12025-01	BOLT, FLANGE (M12x25)	1
23-25	D3410-9PA0-0000	BRAKE MASTER CYLINDER BRAKE ARM	1
23-26	D3419-9PA0-0000	RETURN SPRING	1
23-27	G7202-9PA0-0000	BRAKE LAMP SWITCH	1
23-28	E0711-9PA0-0000	SPRING, BRAKE LAMP SWITCH	1
23-29	I7510-06016-0B	PIN	3
23-30	I5300-00500-N	CLIP (φ 5)	3
23-31	I5300-01500-K	CLIP (φ 15)	1
23-32	I3010-19025-1K	WASHER (φ 19x φ 25xt1.0)	1
23-33	I0050-06025	SCRAW, SOCKET	2
23-34	I8556-06016	SCREW, ROUND HEAD W/WASHER	1
23-35	D3416-FIC0-0000	SPRING BRAKE (L=65)	1

22 Lenker, Armaturen



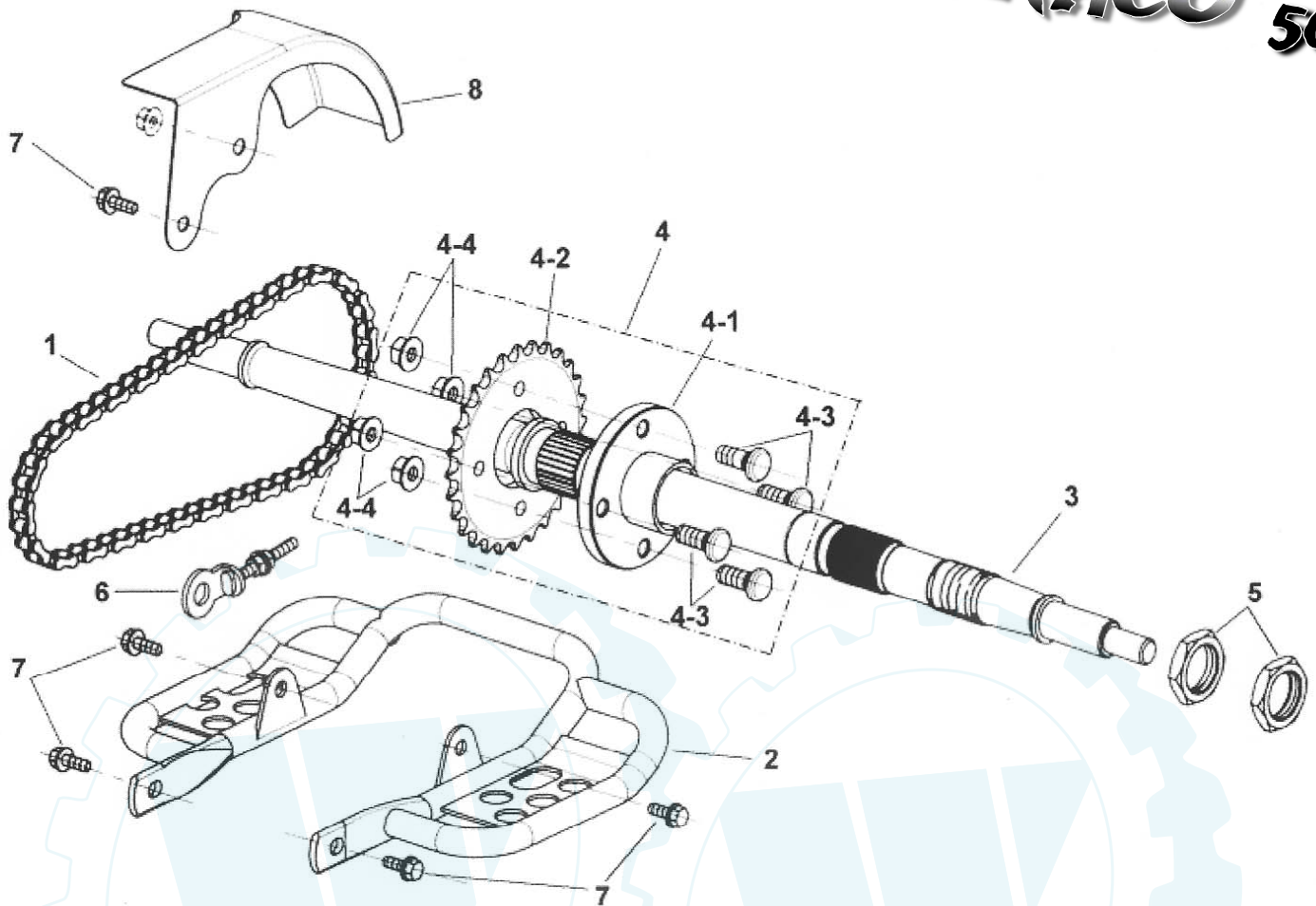
Nr.	E-Teil Nr.	Beschreibung	Stk.
24-1	E3100-FIA0-0000	HANDLE BAR ASSY.	1
24-2	E3180-9PA0-0000	LEVEL ASSY., (RIGHT)	1
24-2-1	E3181-9PA0-0000	LEVEL, (RIGHT)	1
24-2-2	E319A-5EA0-0000	LEVEL, ACCELERATE	1
24-2-3	E3174-9PA0-0000	BRAKE SWITCH ASSY	1
24-3	E3170-FIC0-1000	LEVEL ASSY., (LEFT)	1
24-3-1	E3171-FIA0-0000	LEVEL, (LEFT)	1
24-4	E3166-5EA0-0000	GRIP HANDLE	2
24-5	E3112-5EA0-0000	HANDLE BAR CLAMP, BOTTOM	2
24-6	E3110-5EA0-0000	HANDLE BAR CLAMP, CAP, (LEFT)	1
24-7	E3111-5EA0-0000	HANDLE BAR CLAMP, CAP, (RIGHT)	1
24-8	I0050-06025	BOLT, SOCKET (M6×25)	4
24-9	I5611-10200	NUT, FLANGE CHECK (M10)	2
24-10	E3113-5FA0-0000	A MIRRER BRACKET (LEFT)	1
24-11	E3114-5FA0-0000	A MIRRER BRACKET (RIGHT)	1
24-12	C720A-5PA0-0000	SPEEDOMETER ASSY.	1
24-12-1	C7200-5PA0-0000	SPEEDOMETER	1
24-12-2	C7207-5PA0-0000	METER SENSOR	1
24-12-3	I4200-05005-1A	NUT	4
24-13	C7202-5PA0-0000	FUEL METER	1

23 Rammschutz



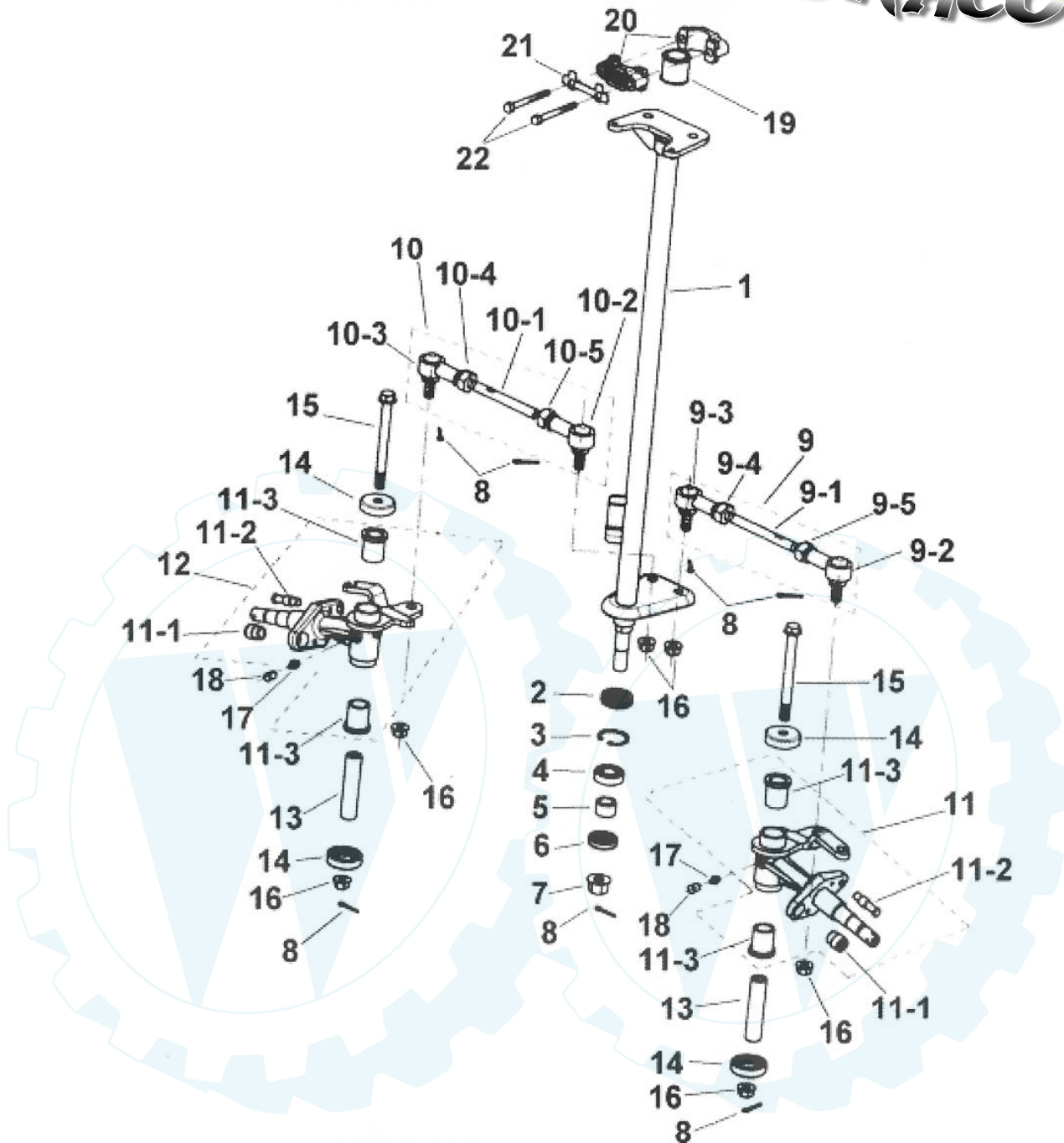
Nr.	E-Teil Nr.	Beschreibung	Stk.
25-1	E0700-9PA0-0000	FOOTREST BAR, LEFT ASSY	1
25-2	E0706-9PA0-0000	FOOTREST BAR, RIGHT ASSY	1
25-3	I0149-10020	BOLT, FLANGE (M10×20)	8
25-4	I8310-06020-01	BUTTON HEAD SCREW(M6×20)	10
25-5	E0400-9PA0-0000	BUMPER FRONT, ASSY.	1
25-6	I0149-08016	BOLT, FLANGE (M8×16)	6
25-7	E0410-5PA0-0000	BUMPER REAR ASSY.	1
25-8	I0149-08040	BOLT, FLANGE (M8×40)	2
25-9	E0402-9FA0-0000	COLLAR, BUMPER	2
25-10	I5611-08200	NUT, FLANGE CHECK(M8)	2

24 Kette, Hinterachse



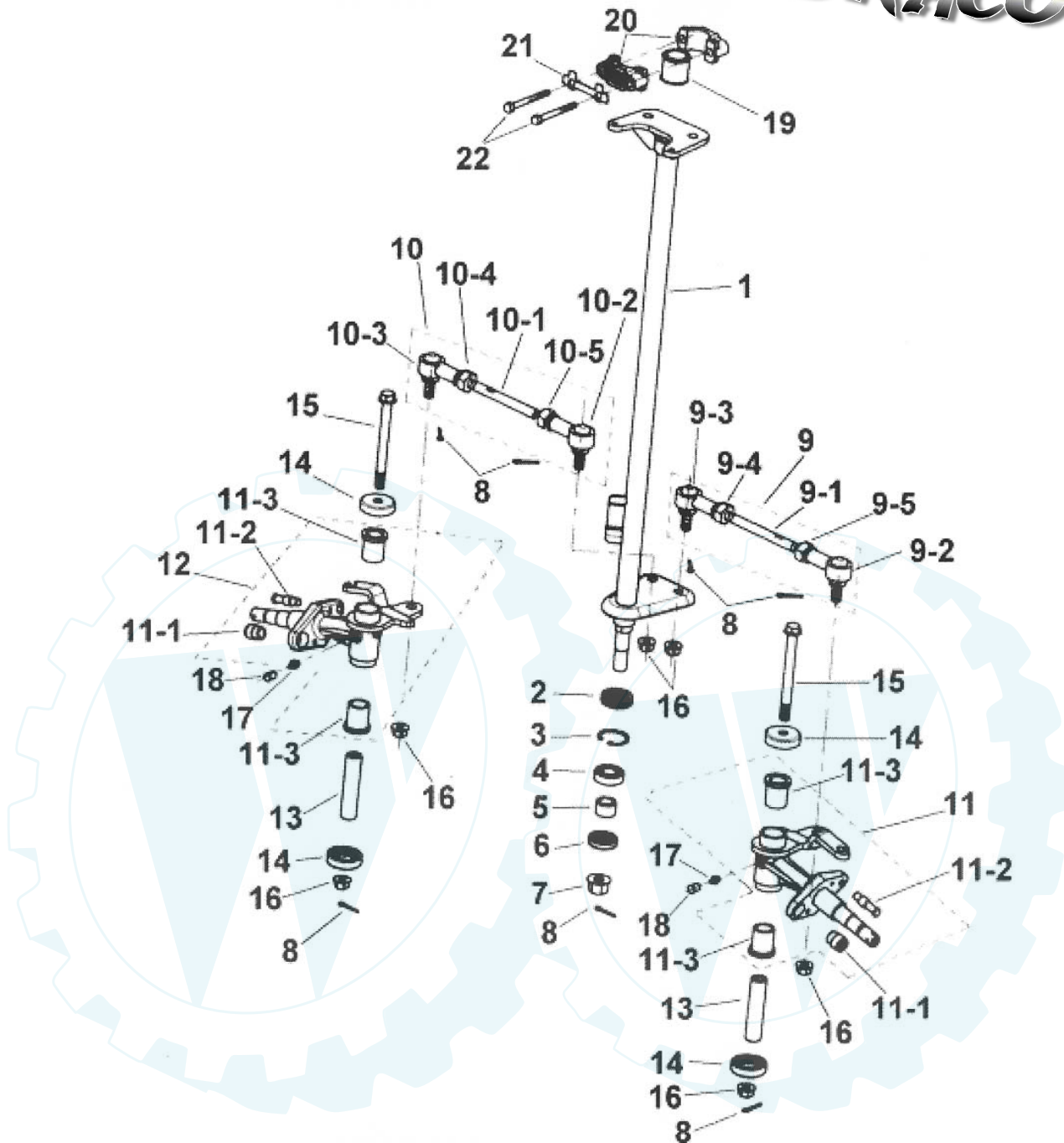
Nr.	E-Teil Nr.	Beschreibung	Stk.
26-1	D0100-9FA0-0000	DRIVE CHAIN ASSY. (#520,48 目)	1
26-2	D0101-9FA0-0000	PROTECT COVER	1
26-3	D2301-9EA0-0000	REAR AXLE	1
26-4	D0110-9EA0-0000	DRIVE CHAIN ASSY (28T)	1
26-4-1	D0111-9EA0-0000	SPROCKET HOLDER, REAR	1
26-4-2	D1111-9EA0-0000	GEAR (520x28T)	1
26-4-3	D2706-9EA0-0000	STUD(M10)	4
26-4-4	I5611-10200	NUT, HEXAGON CHECK(M10)	4
26-5	D2302-9EA0-0000	NUT REAR WHEEL AXLE(M28x1.5)	2
26-6	D0120-9EA0-0000	ADJUSTER, CHAIN	1
26-7	I0149-08016	BOLT,FLANGE(M8x12)	5
26-8	D0510-9FA0-0000	DRIVE CHAIN COVER	1

25 Lenkung



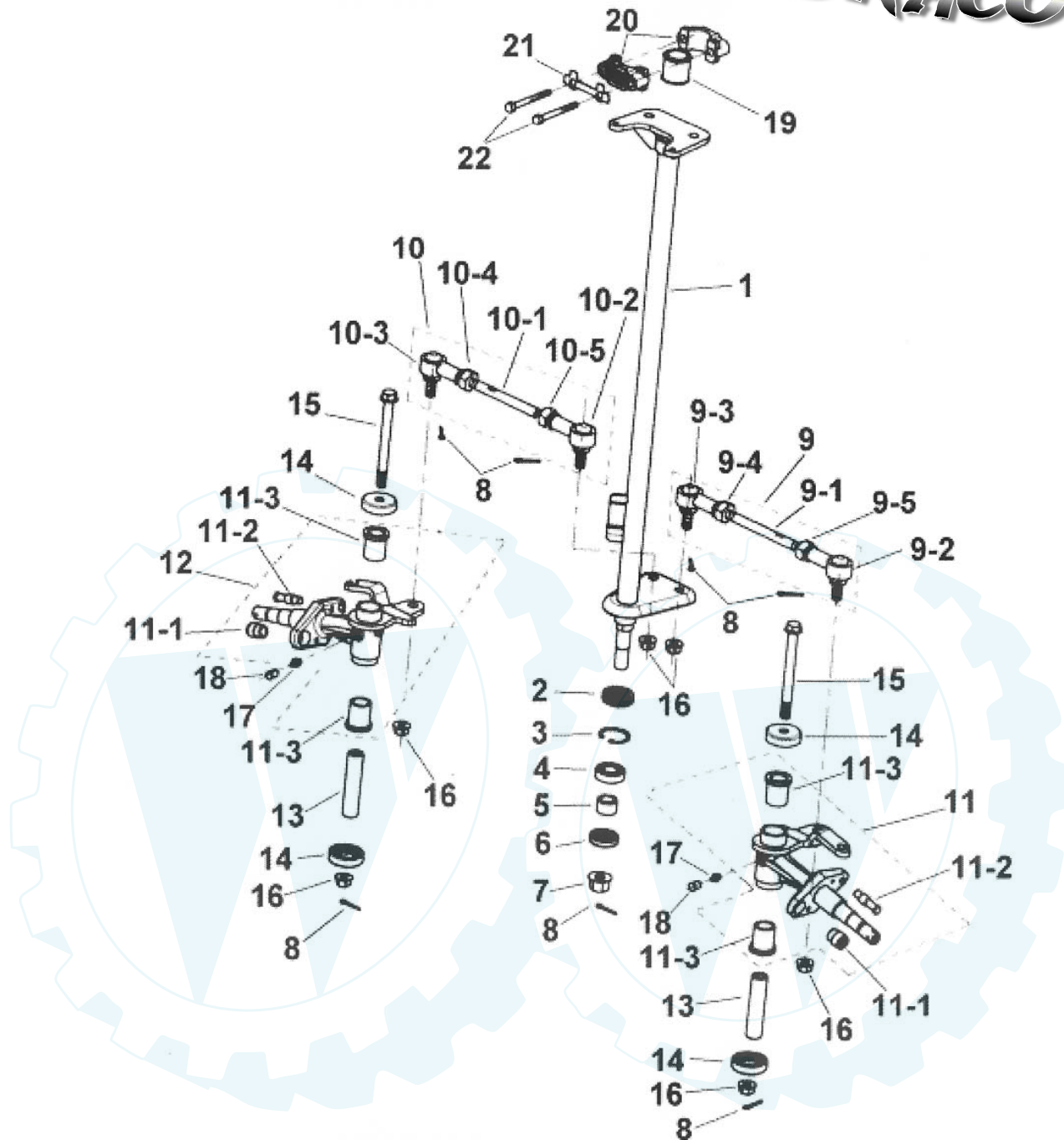
Nr.	E-Teil Nr.	Beschreibung	Stk.
27-1	E3200-5PA0-0000	SHAFT ASSY., STEERING	1
27-2	I3102-5AC0-0000	OIL SEAL($\phi 22 \times \phi 35 \times 7$)	1
27-3	I4510-32000	CIRCLIP	1
27-4	I6100-6002ZZ	BEARING	1
27-5	D4620-5EA0-0000	INNER SPACER($\phi 15 \times \phi 21.7 \times 15$)	1
27-6	E3201-5EA0-0000	OIL SEAL($\phi 18 \times \phi 32 \times 7$)	1
27-7	I5611-14200	NUT, FLANGE CHECK(M14)	1
27-8	I9900-25019	COTTER PIN	7
27-9	E0258-9PA0-0000	STEERING TIE-ROD ASSY., LEFT	1
27-9-1	E0251-9FA0-0000	BOLT, STUD	1
27-9-2	E0255-FIA0-0000	UNIVERSAL JOINT(L)	1
27-9-3	E0256-FIA0-0000	UNIVERSAL JOINT(R)	1

25.1 Lenkung



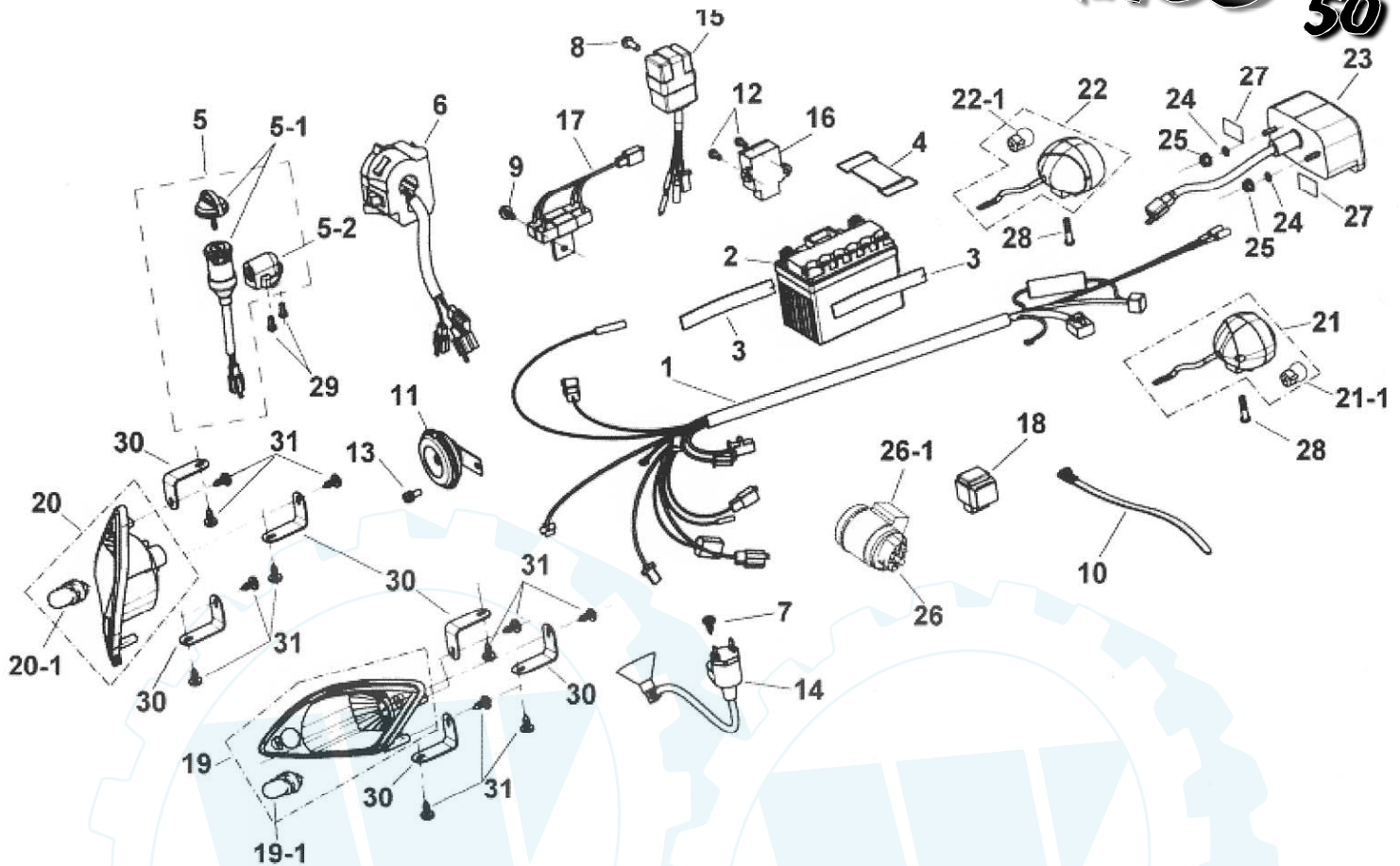
Nr.	E-Teil Nr.	Beschreibung	Stk.
27-9-4	E0252-5EA0-0000	NUT(R)	1
27-9-5	E0253-5EA0-0000	NUT(L)	1
27-10	E0259-9PA0-0000	STEERING TIE-ROD ASSY., RIGHT	1
27-10-1	E0251-9FA0-0000	BOLT, STUD	1
27-10-2	E0255-FIA0-0000	UNIVERSAL JOINT(L)	1
27-10-3	E0256-FIA0-0000	UNIVERSAL JOINT(R)	1
27-10-4	E0252-5EA0-0000	NUT(R)	1
27-10-5	E0253-5EA0-0000	NUT(L)	1
27-11	E0205-9FA0-0000	KNUCKLE, LEFT ASSY	1
27-11-1	D5142-9FA0-0000	SLEEVE, FRONT BRAKE ARM CAM	2
27-11-2	D5144-9FA0-0000	FRONT BRAKE DRUM	2
27-11-3	E0206-9FA0-0000	OIL LINER(φ 17)	4

25.2 Lenkung



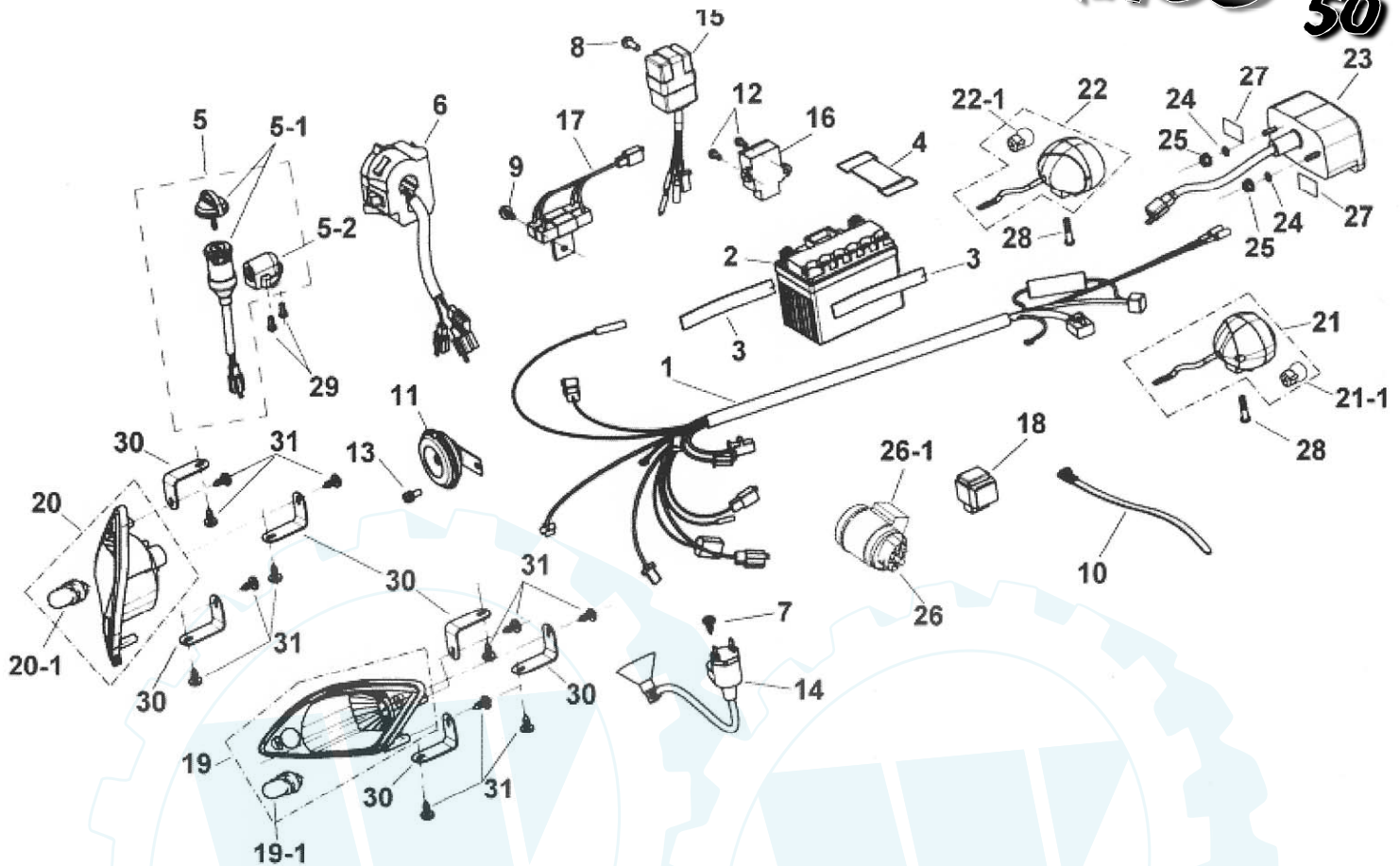
Nr.	E-Teil Nr.	Beschreibung	Stk.
27-12	E0215-9FA0-0000	KNUCKLE, RIGHT ASSY	1
27-13	E0211-9FA0-0000	SLEEVE	2
27-14	E0203-9FA0-0000	CAP(ϕ 38×10×10)	4
27-15	I0102-10105	PIN HOLE BOLT, FLANGE(M10×105)	2
27-16	I5611-10200	NUT, FLANGE CHECK (M10)	6
27-17	I6600-06000	GREASE VALVE	2
27-18	E0209-5EAO-0000	CAP, GREASE VALVE	2
27-19	E3225-5EAO-0000	PU BUSH SLEEVE, STEERING SHAFT	1
27-20	E3202-9FA0-0000	HOLDER, STEERING SHAFT	2
27-21	E3203-9FA0-0000	FIX PLATE, STEERING SHAFT	1
27-22	I0020-08055	BOLT(M8×55)	2

26 Elektrik



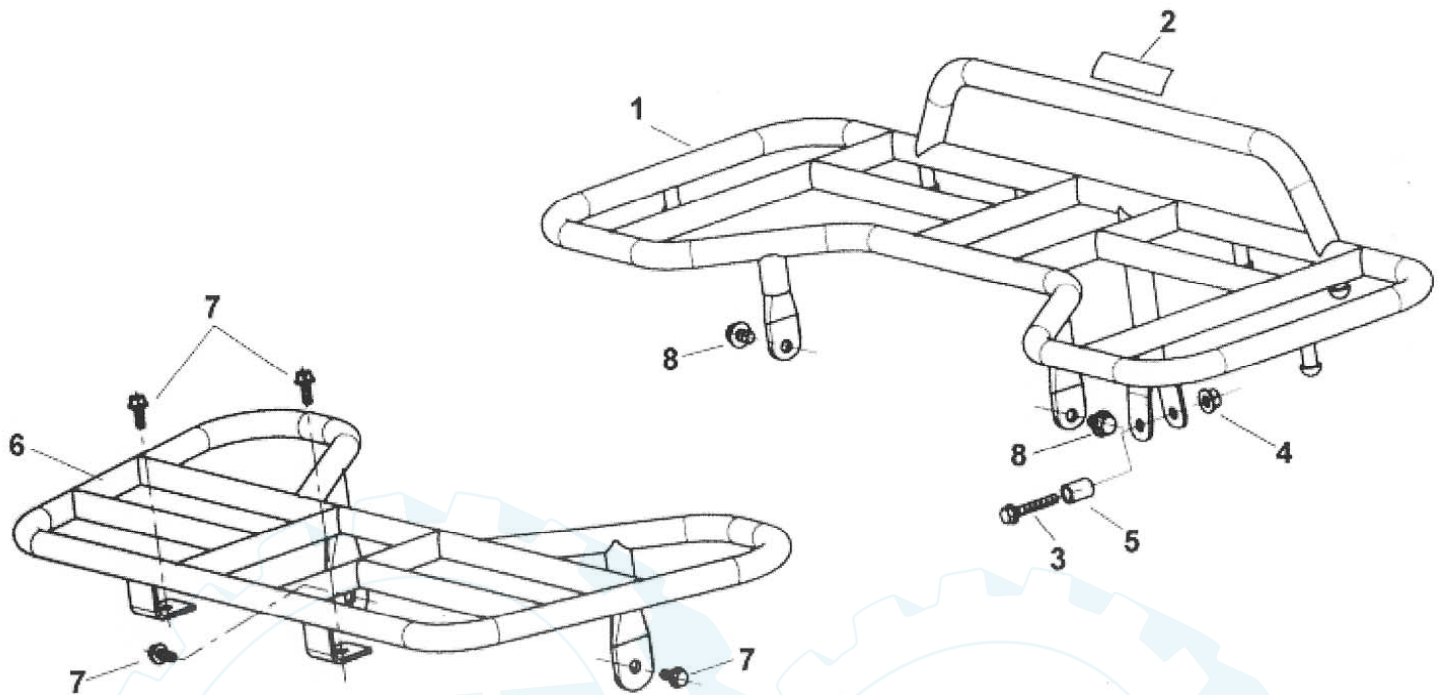
Nr.	E-Teil Nr.	Beschreibung	Stk.
28-1	C2100-5PA0-0000	MAIN WIRE ASSY.	1
28-2	C1500-9FA0-0000	BATTERY	1
28-3	C1501-9FA0-0000	FOAM PAD	2
28-4	C1502-9FA0-0000	RUBBER CLAMP, BATTERY(89L)	1
28-5	C5010-5PA0-0000	MAIN SWITCH ASSY.	1
28-5-1	C5010-9FA0-0000	MAIN SWITCH	1
28-5-2	C5011-FIC0-0000	FAUCET LOCK	1
28-6	C5200-FIC0-0000	LEVER HOLDER ASSY., LEFT	1
28-7	I3401-05020-07	SCREW WITH WASHER(M5×20)	1
28-8	I8556-06020	SCREW WITH WASHER(M6×20)	1
28-9	I0149-06012	BOLT, FLANGE	1
28-10	H3936-5AA0-0000	WIRE CLAMP	1
28-11	C8110-5EE0-0000	HORN	1
28-12	I8506-05016	SCREW, PAN HEAD(M5×16)	2
28-13	I8556-06012	SCREW, PAN HEAD WITH WASHER(M6×12)	1
28-14	C051A-5EE0-0000	IGNITION COIL ASSY.	1
28-15	C0410-B00-0000	C.D.I. UNIT ASSY.	1
28-16	C1600-B00-0000	RECTIFIER®ULATOR	1
28-17	C5400-B00-0000	RESISTOR ASSY	1
28-18	C5850-B00-0000	STARTER RELAY ASSY	1

26.1 Elektrik



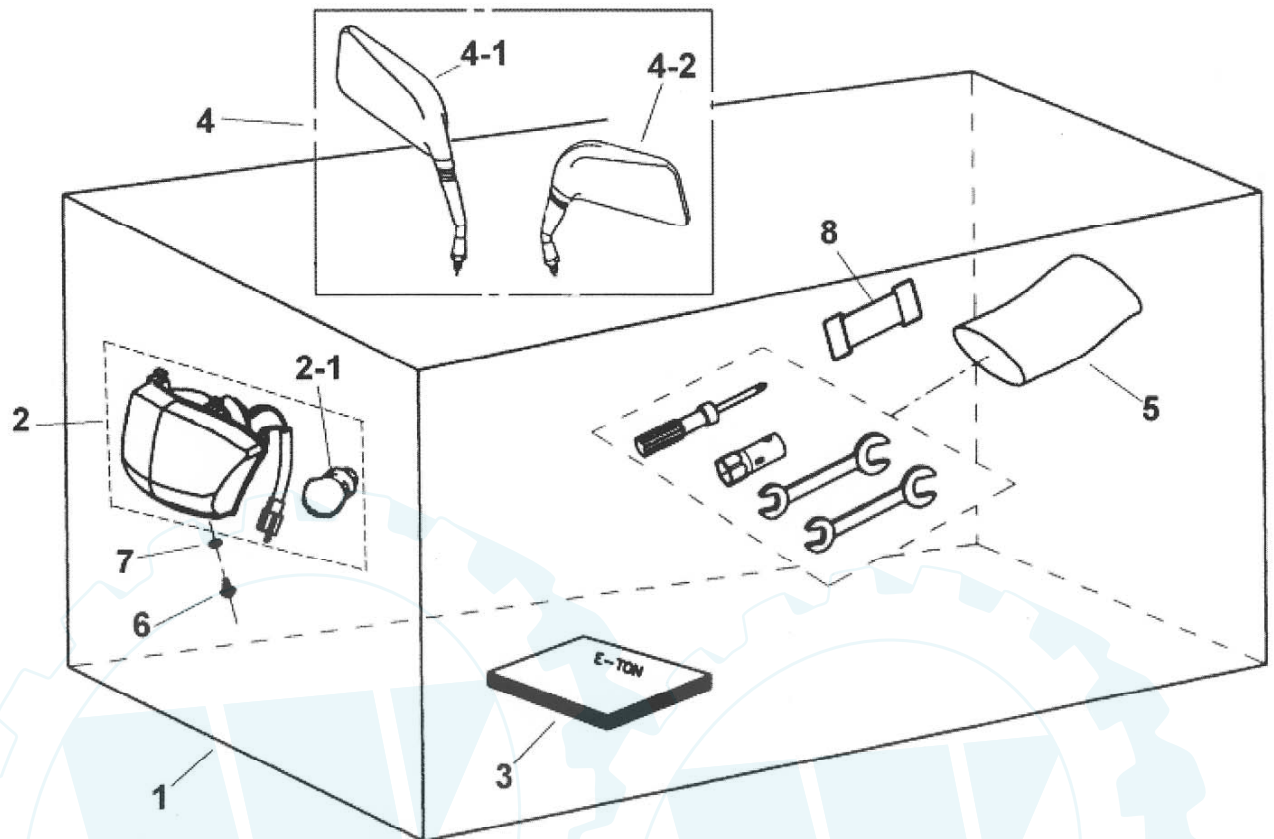
Nr.	E-Teil Nr.	Beschreibung	Stk.
28-19	C3451-5PA0-0000	FRONT TURN LAMP ASSY LEFT	1
28-19-1	F1231-5PA0-0000	BULB	1
28-20	C3401-5PA0-0000	FRONT TURN LAMP ASSY RIGHT	1
28-20-1	F1231-5PA0-0000	BULB	1
28-21	F1240-5FA0-0000	REAR TURN LAMP ASSY, LEFT	1
28-21-1	F1231-5FA0-0000	BULB	1
28-22	F1230-5FA0-0000	REAR TURN LAMP ASSY., RIGHT	1
28-22-1	F1231-5FA0-0000	BULB	1
28-23	C3700-5BA0-0000	TAILLIGHT ASSY	1
28-24	C510C-FIA0-0000	RUBBER PAD WASHER	2
28-25	I5611-06200-0G	NUT, CHECK	2
28-26	C830A-5PA0-0000	FLY RELAY ASSY	1
28-26-1	C8302-EGAO-0000	CUSHION WINKER	1
28-27	C1501-5FA0-0000	FOAM STICK	2
28-28	I2110-50000	BOLT, WASHER SPRING	2
28-29	I8501-5BA1-0000	BOLT, BROKENABLE	2
28-30	E3101-5PA0-0000	FRONT TURN LAMP FIXED SLICE	6
28-31	I2804-04013-5C	SELF-TAPPING SCREW	12

27 Gepäckträger



Nr.	E-Teil Nr.	Beschreibung	Stk.
29-1	E0411-9PA0-0000	REAR RACK	1
29-2	H7113-9FA0-0000	STICKER, REAR RACK	1
29-3	I0149-08040	BOLT(M8×40)	1
29-4	I5611-08200	FLANGE SELF-LOCK NUT(M8)	1
29-5	E0402-9FA0-0000	COLLAR, REAR RACK	1
29-6	E0413-9PA0-0000	FRONT RACK ASSY.	1
29-7	I0149-08016	BOLT, FLANGE(M8×16)	4
29-8	I0149-08012	BOLT, FLANGE(M8×12)	2

28 Spiegel, Licht, Werkzeug



Nr.	E-Teil Nr.	Beschreibung	Stk.
30-1	H9500-9FA0-0000	PACKING CASE, EXTERNAL	1
30-2	C5030-5PA0-0000	HEAD LIGHT ASSY	1
30-2-1	C5003-5PA0-0000	BULB	1
30-3	H9900-5PA0-0000	OWNER'S MANUAL	1
30-4	H8100-5BA1-E000	BACK MIRROR ASSY.	1
30-04-01	H8110-5BA1-E000	BACK MIRROR, RIGHT	1
30-04-02	H8120-5BA1-E000	BACK MIRROR, LEFT	1
30-5	H9020-9FA0-0000	TOOL SET	1
30-6	F1103-BCA0-0000	FRONT LAMP ADJUST BOLT	1
30-7	I0200-06000-0B	WASHER	1
30-8	C1502-9FA0-0000	RUBBER CLAMP, BATTERY(89L)	1